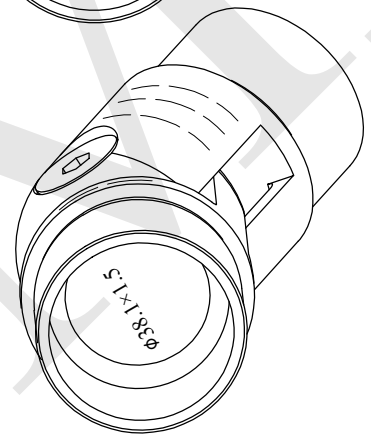
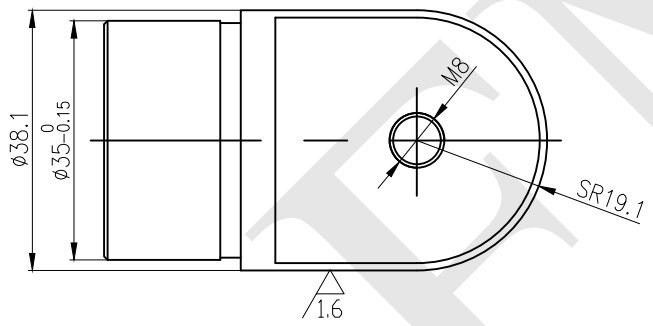
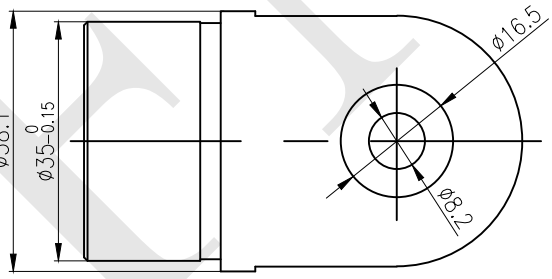
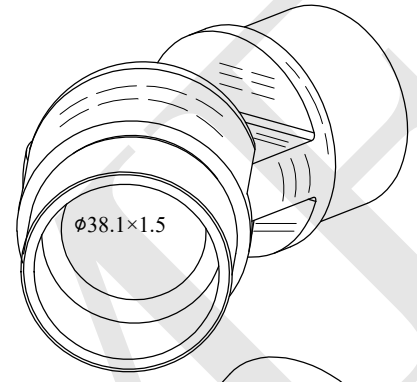
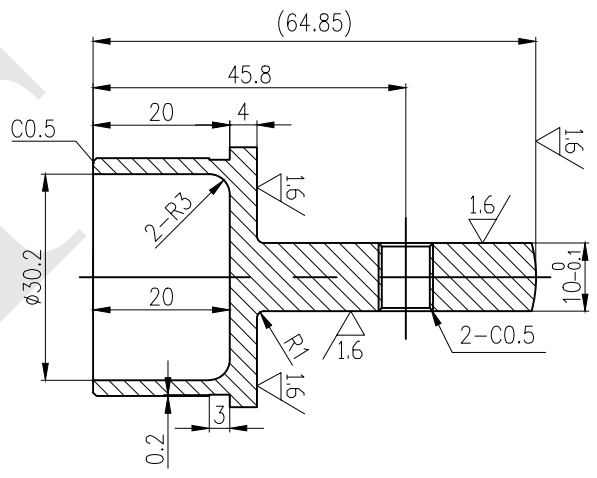
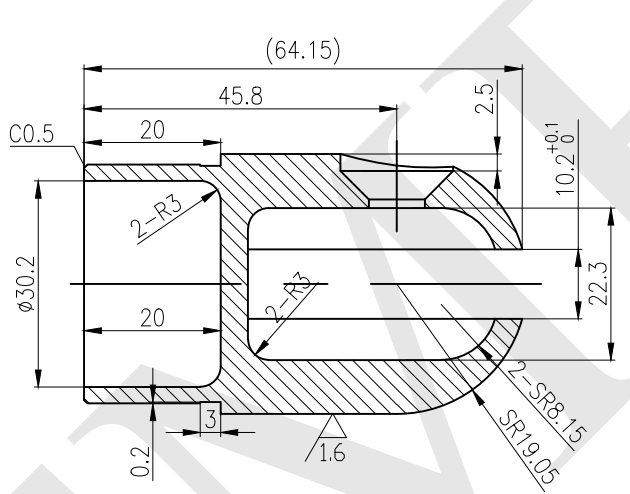


3.2



**NOTES:**  
 - PROPRIETARY AND CONFIDENTIAL  
 - THE INFORMATION CONTAINED IN THIS DRAWING IS THE SOLE PROPERTY OF FMF GLASS HARDWARE. ANY REPRODUCTION IN PART OR AS A WHOLE WITHOUT THE WRITTEN PERMISSION OF FMF GLASS HARDWARE IS PROHIBITED.

**PRODUCT NAME:**  
 Adjustable Elbow for Round Handrail  
 - 38.1mm

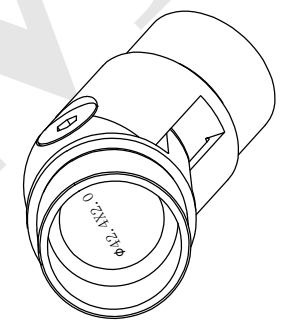
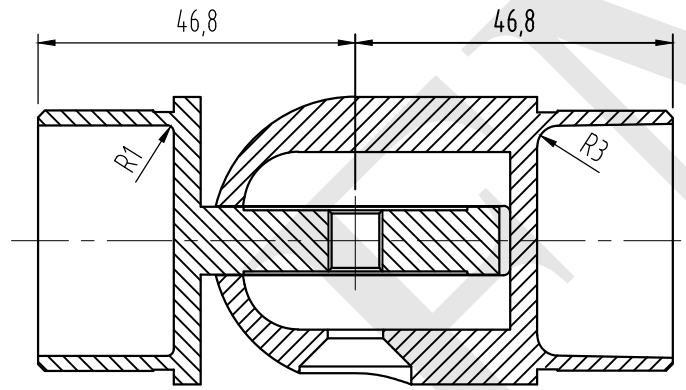
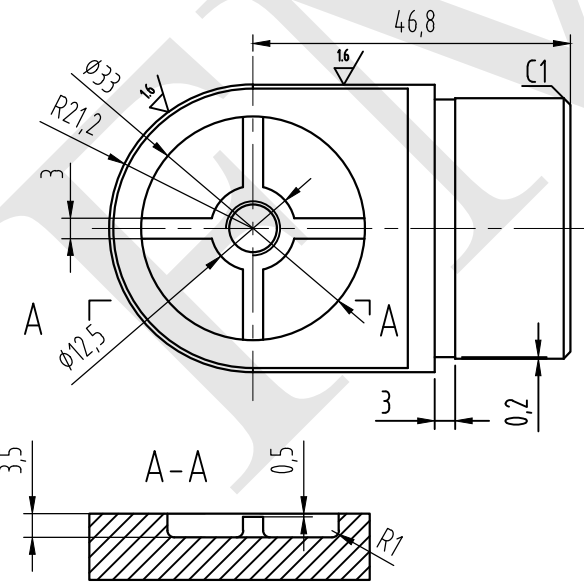
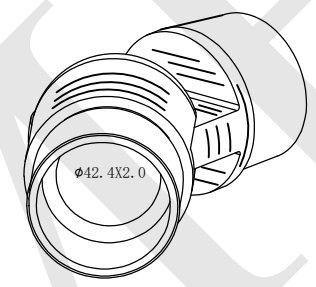
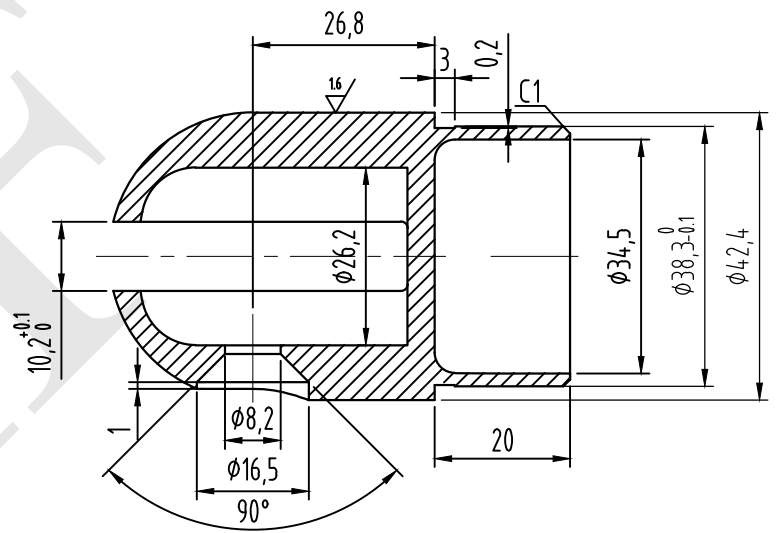
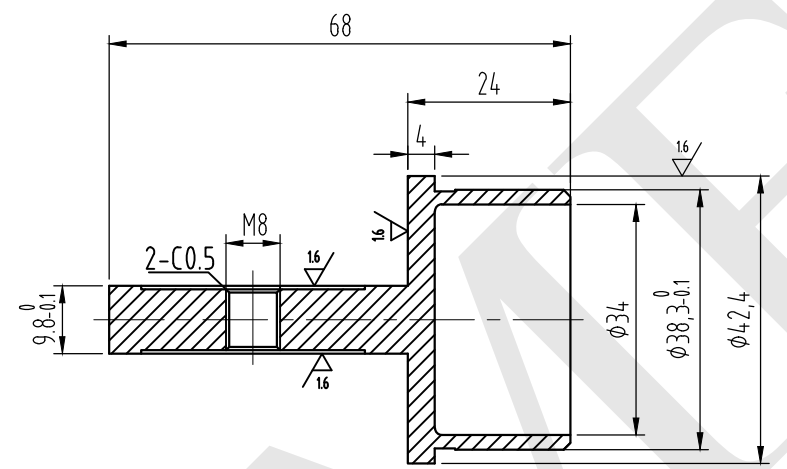
DWG NO. 135ELB-381\_1  
 DATE: 11.22

UNIT: MM  
 DRAWN BY: FMF

**PRODUCT MODEL NUMBER:**  
 135ELB-381

DWG SIZE/SCALE: A4/NTS  
**FMF GLASS HARDWARE**

REV. 1  
 SHEET 1 OF 1



3.2

**NOTES:**  
 - PROPRIETARY AND CONFIDENTIAL  
 - THE INFORMATION CONTAINED IN THIS DRAWING IS THE SOLE PROPERTY OF FMF GLASS HARDWARE. ANY REPRODUCTION IN PART OR AS A WHOLE WITHOUT THE WRITTEN PERMISSION OF FMF GLASS HARDWARE IS PROHIBITED.

**PRODUCT NAME:**  
 Adjustable Elbow for Round Handrail  
 - 42.4mm

DWG NO. 135ELB-424\_1  
 DATE: 11.22

UNIT: MM  
 DRAWN BY: FMF

**PRODUCT MODEL NUMBER:**  
 135ELB-424

DWG SIZE/SCALE: A4/NTS  
**FMF GLASS HARDWARE**

REV. 1  
 SHEET 1 OF 1