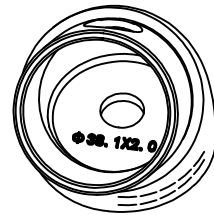
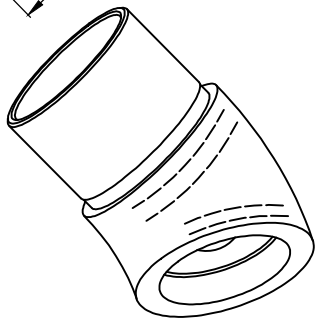
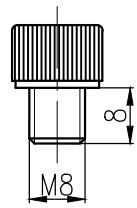
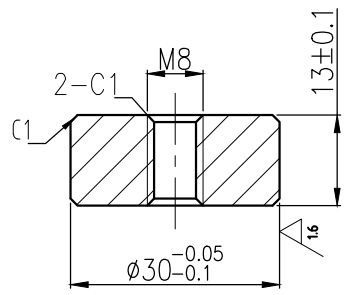
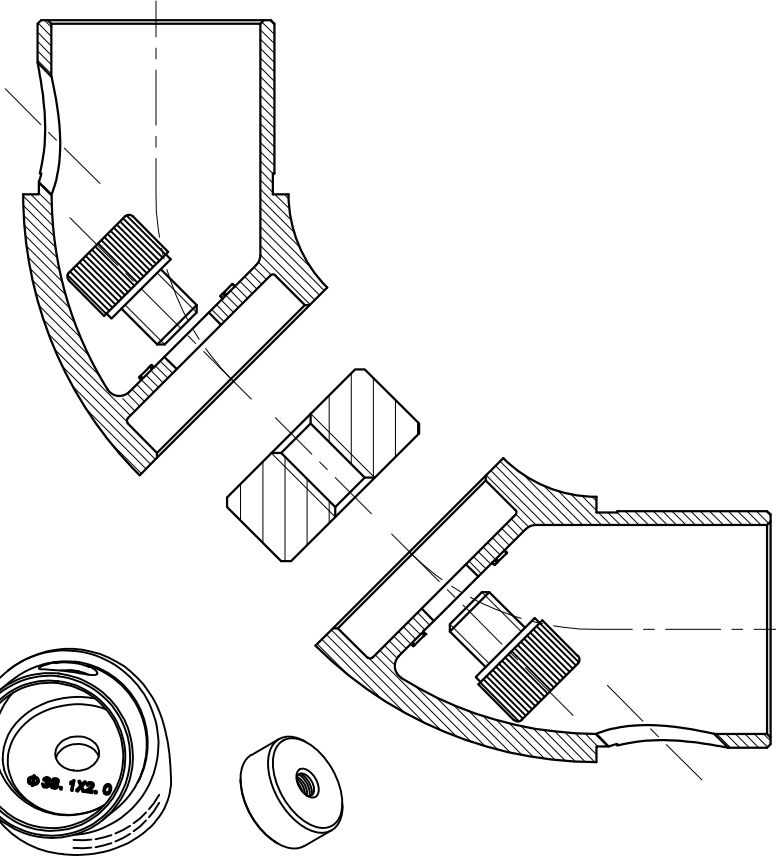
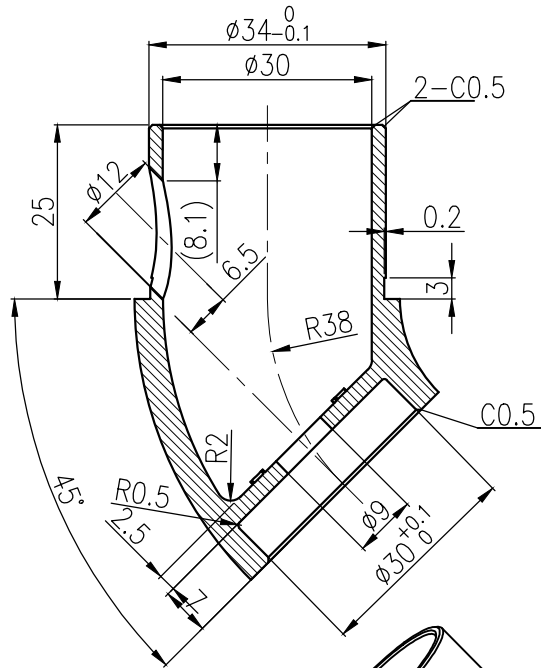
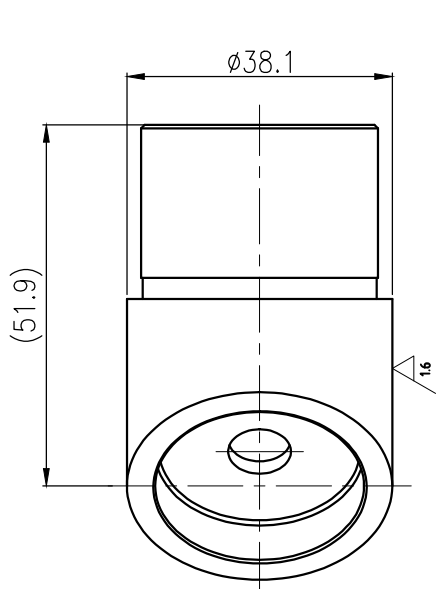


12 11 10 9 8 7 6 5 4 3 2 1

3.2/

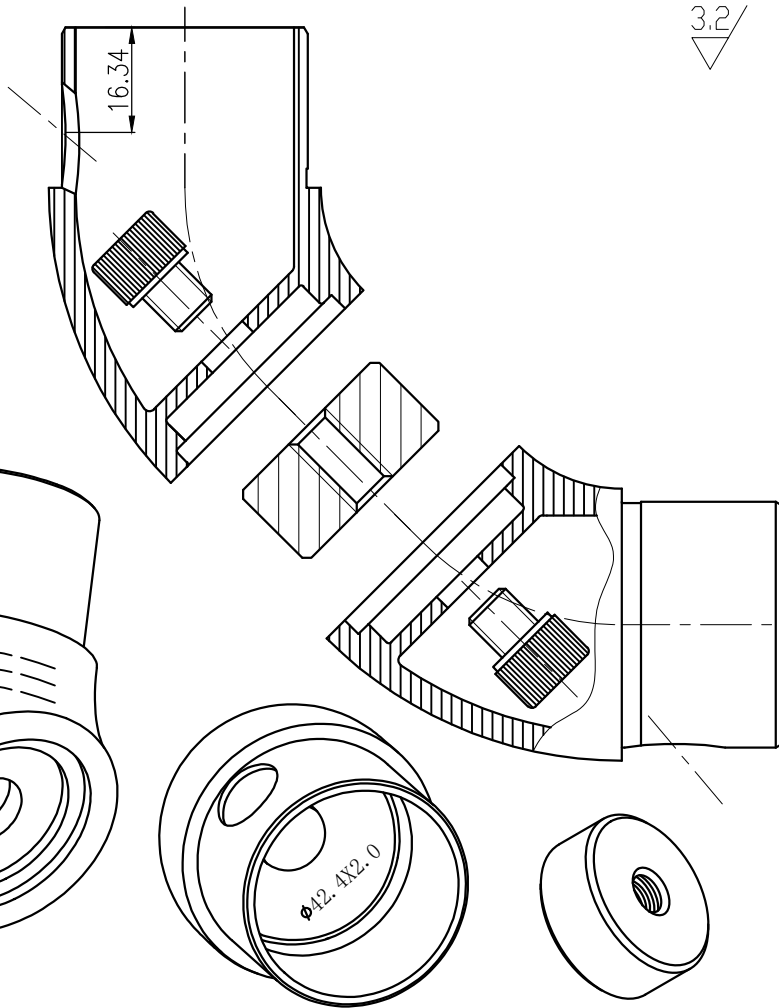
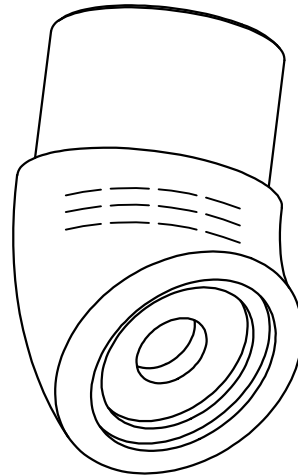
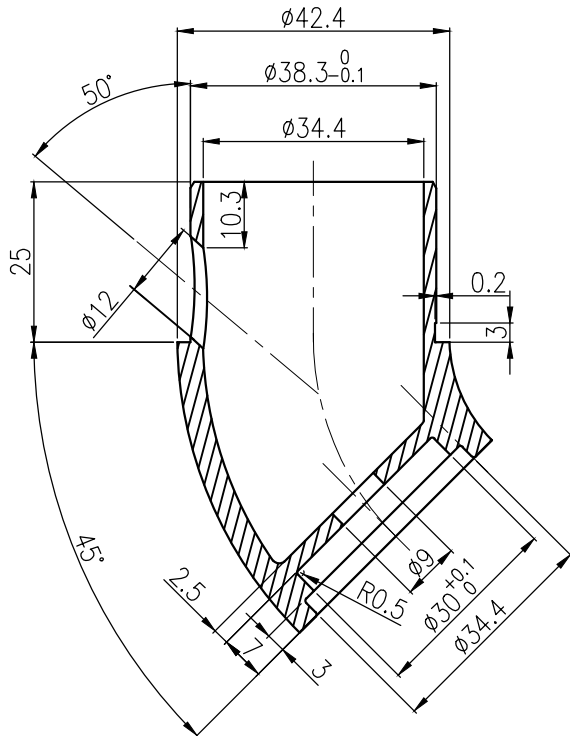
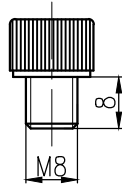
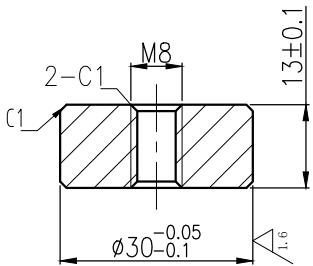
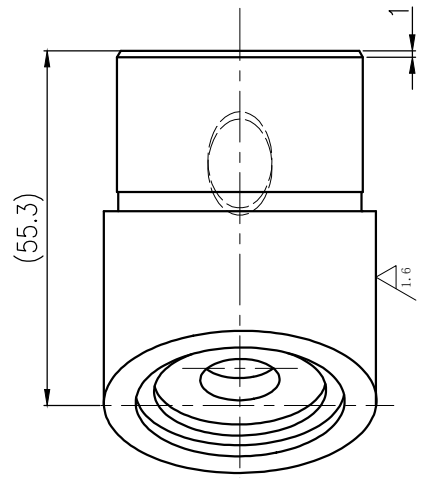


NOTES: - PROPRIETARY AND CONFIDENTIAL - THE INFORMATION CONTAINED IN THIS DRAWING IS THE SOLE PROPERTY OF FMF GLASS HARDWARE. ANY REPRODUCTION IN PART OR AS A WHOLE WITHOUT THE WRITTEN PERMISSION OF FMF GLASS HARDWARE IS PROHIBITED.	PRODUCT NAME: Rotating Elbow for 38.1mm Round Handrail		PRODUCT MODEL NUMBER: 360ELB-381		
	DWG NO. 360ELB-381_1	UNIT: MM	DWG SIZE/SCALE A4/NTS	FMF GLASS HARDWARE	
	DATE: 12.22	DRAWN BY: FMF			REV. 1
					SHEET 1 OF 1

12 11 10 9 8 7 6 5 4 3 2 1

12 11 10 9 8 7 6 5 4 3 2 1

3.2



NOTES:
 - PROPRIETARY AND CONFIDENTIAL
 - THE INFORMATION CONTAINED IN THIS DRAWING IS THE SOLE PROPERTY OF FMF GLASS HARDWARE. ANY REPRODUCTION IN PART OR AS A WHOLE WITHOUT THE WRITTEN PERMISSION OF FMF GLASS HARDWARE IS PROHIBITED.

PRODUCT NAME:
 Rotating Elbow
 for 42.4mm Round Handrail

DWG NO. 360ELB-424_1
 DATE: 12.22

UNIT: MM
 DRAWN BY: FMF

PRODUCT MODEL NUMBER:
 360ELB-424

DWG SIZE/SCALE: A4/NTS
FMF GLASS HARDWARE

REV. 1
 SHEET 1 OF 1

12 11 10 9 8 7 6 5 4 3 2 1