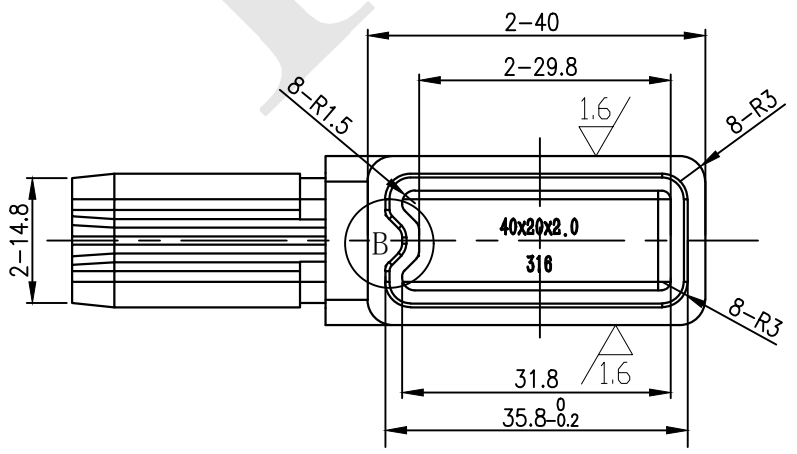
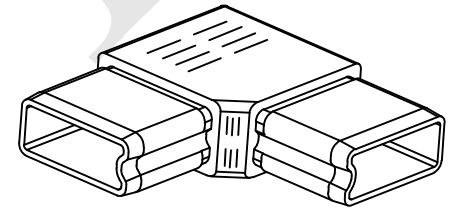
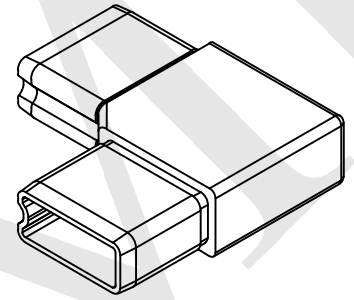
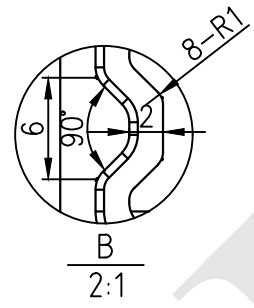
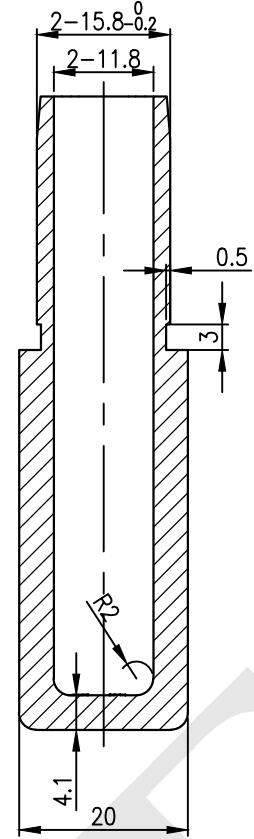
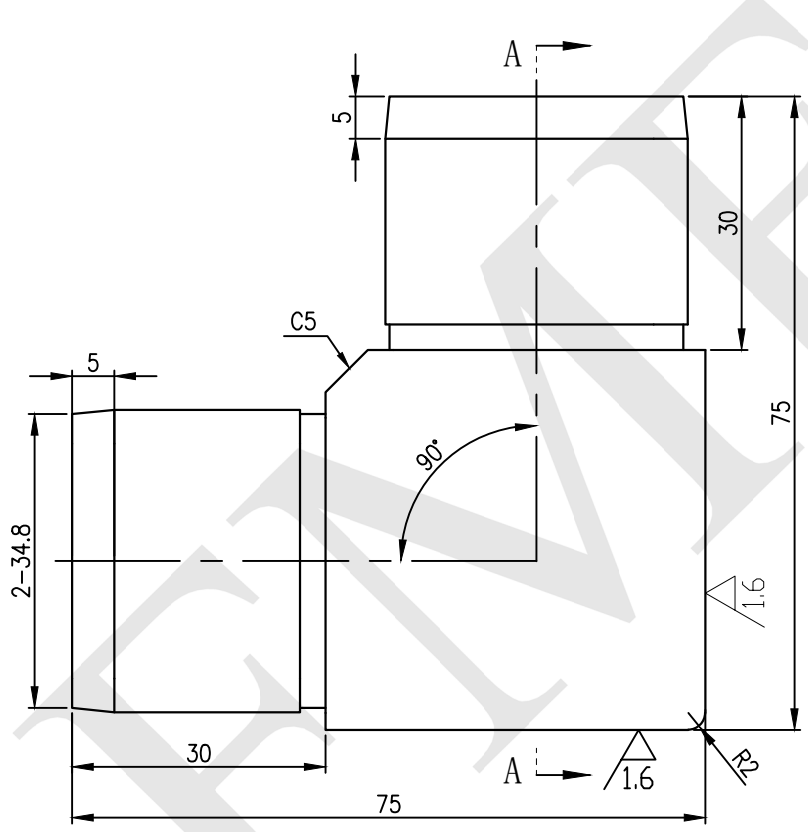


12 11 10 9 8 7 6 5 4 3 2 1

H
G
F
E
D
C
B
A

H
G
F
E
D
C
B
A

3.2/



NOTES:
 - PROPRIETARY AND CONFIDENTIAL
 - THE INFORMATION CONTAINED IN THIS DRAWING IS THE SOLE PROPERTY OF FMF GLASS HARDWARE. ANY REPRODUCTION IN PART OR AS A WHOLE WITHOUT THE WRITTEN PERMISSION OF FMF GLASS HARDWARE IS PROHIBITED.

PRODUCT NAME:
 90° Elbow for 40x20mm Square Handrail

DWG NO.: 90ELB-4020_1
DATE: 11.22

UNIT: MM
DRAWN BY: FMF

PRODUCT MODEL NUMBER:
 90ELB-4020

DWG SIZE/SCALE: A4/NTS

REV.: 1
SHEET 1 OF 1

FMF GLASS HARDWARE

12 11 10 9 8 7 6 5 4 3 2 1