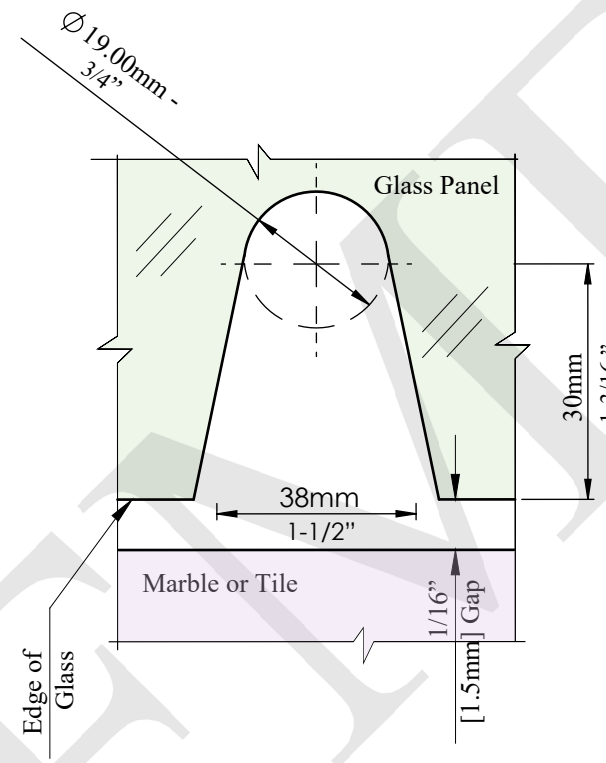


3D VIEW



GLASS FABRICATION

**NOTES:**  
 - PROPRIETARY AND CONFIDENTIAL  
 - THE INFORMATION CONTAINED IN THIS DRAWING IS THE SOLE PROPERTY OF FMF GLASS HARDWARE. ANY REPRODUCTION IN PART OR AS A WHOLE WITHOUT THE WRITTEN PERMISSION OF FMF GLASS HARDWARE IS PROHIBITED.

PRODUCT NAME:  
**Double Hole Glass Clamp**

PRODUCT MODEL NUMBER:  
**C822 & C829**

DWG NO. C822\_1, C829\_1  
 DATE: 02.22  
 UNIT: MM  
 DRAWN BY: FMF

DWG SIZE/SCALE: A4/NTS  
**FMF GLASS HARDWARE**  
 REV. 1  
 SHEET 1 OF 1