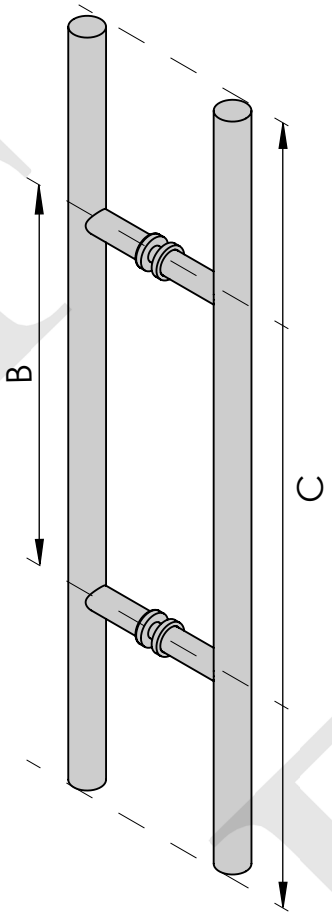
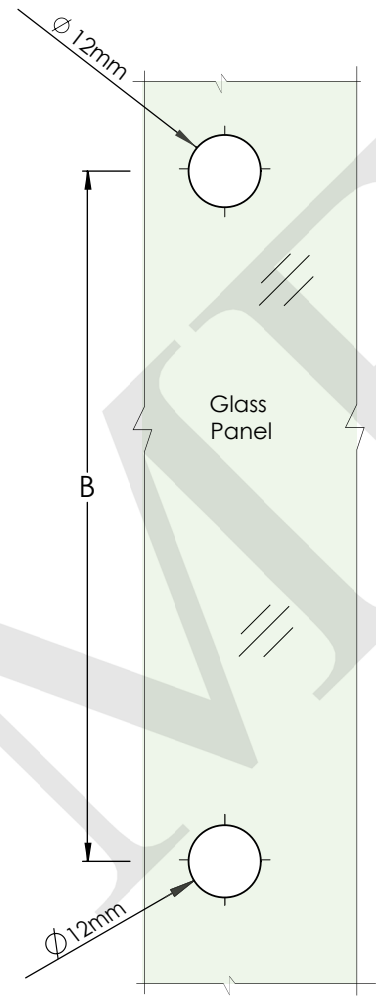


ELEVATION



3D VIEW



GLASS FABRICATION

MODEL	B	C
CH11-8	8"	12"
CH11-12	12"	24"
CH11-18	18"	30"
CH11-24	24"	36"
CH11-36	36"	48"
CH11-48	48"	60"

NOTES:
 - PROPRIETARY AND CONFIDENTIAL
 - THE INFORMATION CONTAINED IN THIS DRAWING IS THE SOLE PROPERTY OF FMF GLASS HARDWARE. ANY REPRODUCTION IN PART OR AS A WHOLE WITHOUT THE WRITTEN PERMISSION OF FMF GLASS HARDWARE IS PROHIBITED.

PRODUCT NAME:
 Commercial Ladder
 Style Round Handle

DWG NO. CH11_1
 DATE: 11.22

UNIT: FT.-IN./MM
 DRAWN BY: FMF

PRODUCT MODEL NUMBER:
 CH11

DWG SIZE/SCALE: A4/NTS

FMF GLASS HARDWARE

REV. 1
 SHEET 1 OF 1