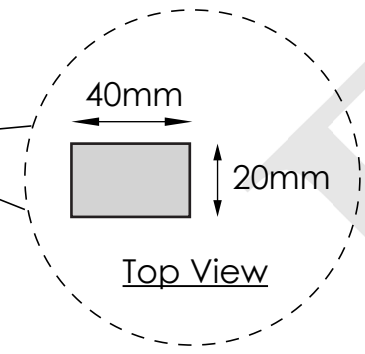
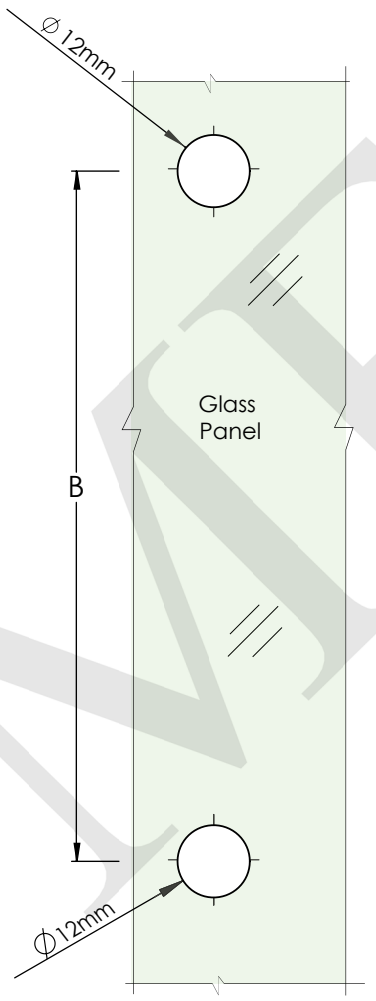


ELEVATION



Top View



GLASS FABRICATION

MODEL	B	C
CH12-12	12"	24"
CH12-24	24"	36"

NOTES:
 - PROPRIETARY AND CONFIDENTIAL
 - THE INFORMATION CONTAINED IN THIS DRAWING IS THE SOLE PROPERTY OF FMF GLASS HARDWARE. ANY REPRODUCTION IN PART OR AS A WHOLE WITHOUT THE WRITTEN PERMISSION OF FMF GLASS HARDWARE IS PROHIBITED.

PRODUCT NAME:
**Commercial Ladder
 Style Square Handle**

DWG NO. CH12_1
 DATE: 11.22

UNIT: FT.-IN./MM
 DRAWN BY: FMF

PRODUCT MODEL NUMBER:
 CH12

DWG SIZE/SCALE: A4/NTS

**FMF GLASS
 HARDWARE**

REV. 1
 SHEET 1 OF 1