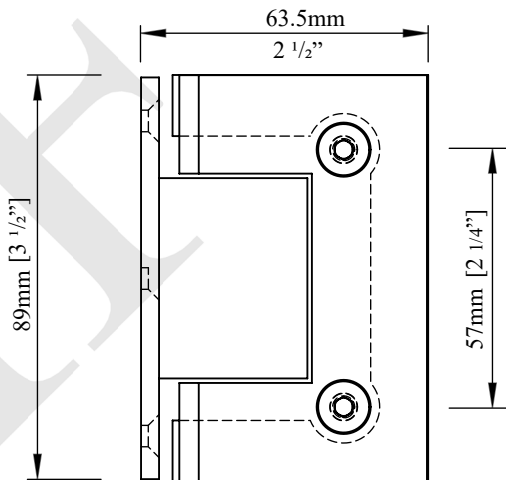
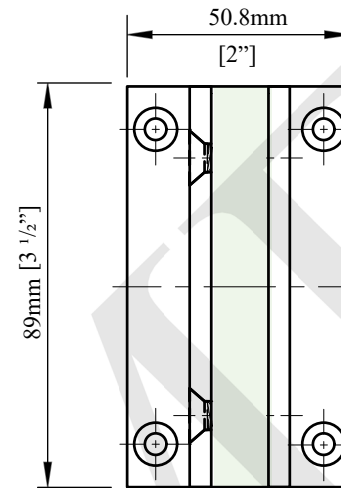


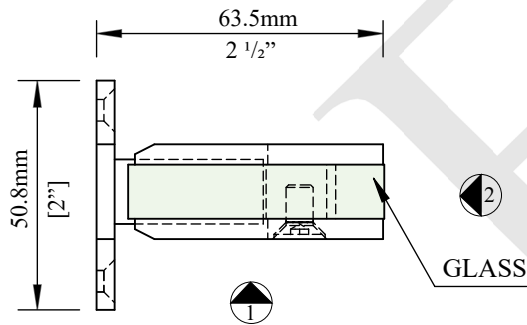
GLASS FABRICATION



ELEVATION 1



ELEVATION 2



PLAN

**NOTES:**

- PROPRIETARY AND CONFIDENTIAL  
- THE INFORMATION CONTAINED IN THIS DRAWING IS THE SOLE PROPERTY OF FMF GLASS HARDWARE. ANY REPRODUCTION IN PART OR AS A WHOLE WITHOUT THE WRITTEN PERMISSION OF FMF GLASS HARDWARE IS PROHIBITED.

**PRODUCT NAME:**

H-Plate Wall Mount Hinge

DWG NO. G200

DATE: 11.22

UNIT: FT.-IN./MM

DRAWN BY: FMF

**PRODUCT MODEL NUMBER:**

G200

DWG SIZE/SCALE

A4/NTS

**FMF GLASS HARDWARE**

REV. 1  
SHEET 1 OF 1