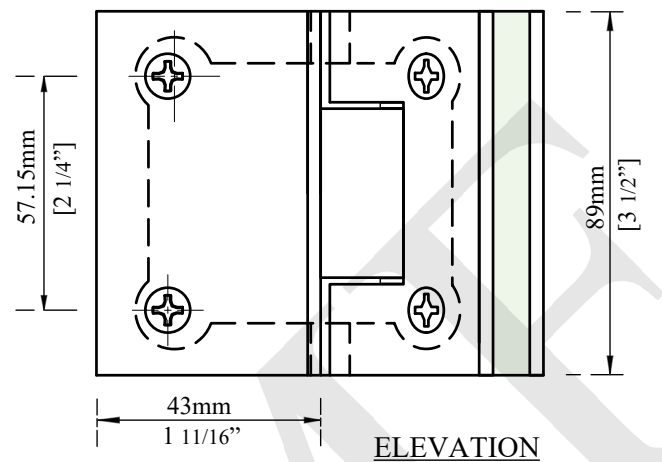
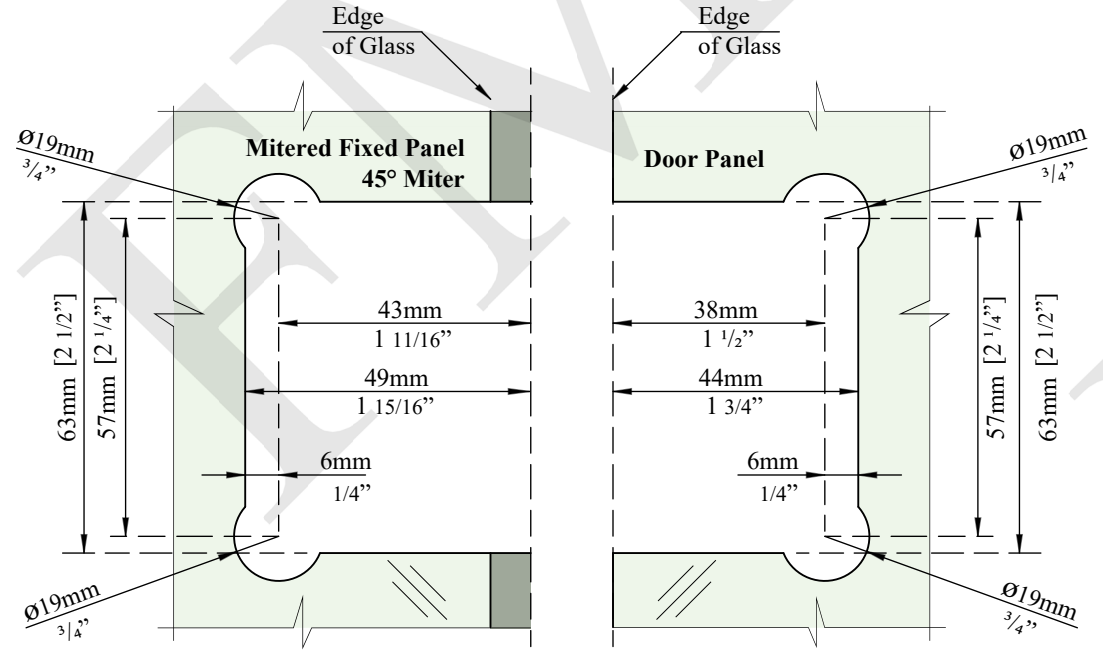


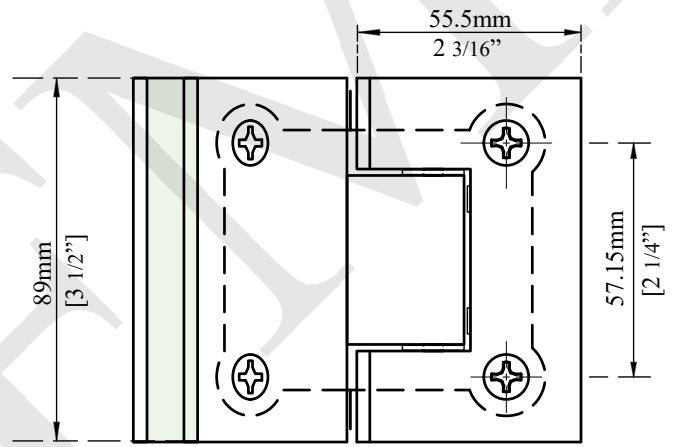
PLAN



ELEVATION



GLASS FABRICATION



ELEVATION

NOTES:
 - PROPRIETARY AND CONFIDENTIAL
 - THE INFORMATION CONTAINED IN THIS DRAWING IS THE SOLE PROPERTY OF FMF GLASS HARDWARE. ANY REPRODUCTION IN PART OR AS A WHOLE WITHOUT THE WRITTEN PERMISSION OF FMF GLASS HARDWARE IS PROHIBITED.

PRODUCT NAME:
 135° Standard
 Glass-to-Glass Hinge

DWG NO. G202
 DATE: 11.22

UNIT: FT.-IN./MM
 DRAWN BY: FMF

PRODUCT MODEL NUMBER:
 G202

DWG SIZE/SCALE: A4/NTS

FMF GLASS HARDWARE

REV. 1
 SHEET 1 OF 1