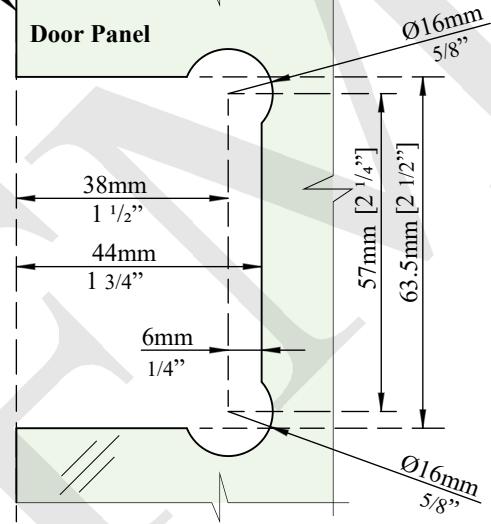
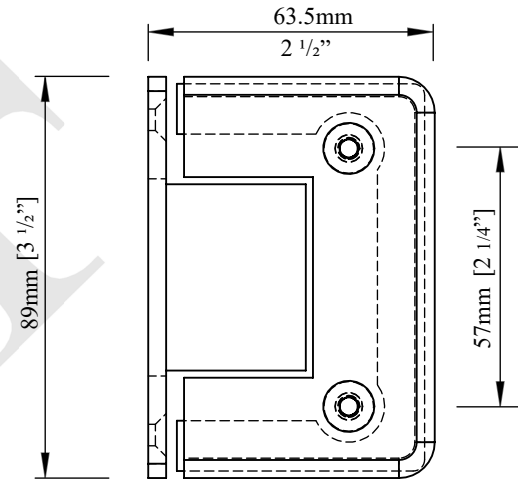


Edge
of Glass

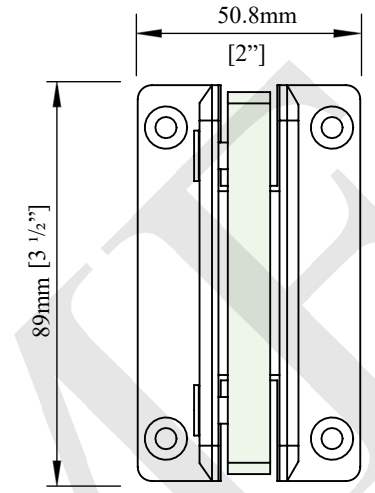
Door Panel



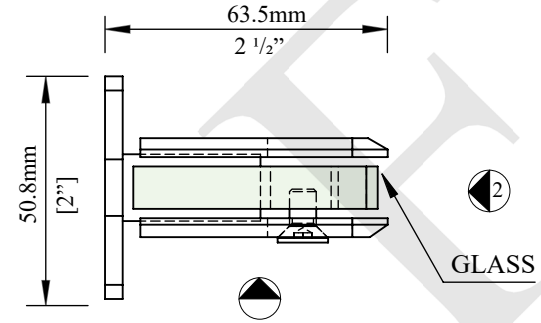
GLASS FABRICATION



ELEVATION 1



ELEVATION 2



PLAN

GLASS

NOTES:
 - PROPRIETARY AND CONFIDENTIAL
 - THE INFORMATION CONTAINED IN THIS DRAWING IS THE SOLE PROPERTY OF FMF GLASS HARDWARE. ANY REPRODUCTION IN PART OR AS A WHOLE WITHOUT THE WRITTEN PERMISSION OF FMF GLASS HARDWARE IS PROHIBITED.

PRODUCT NAME:
Bevelled Wall Mount Hinge

DWG NO. **G300_1** UNIT: **FT.-IN./MM**
 DATE: **11.22** DRAWN BY: **FMF**

PRODUCT MODEL NUMBER:
G300

DWG SIZE/SCALE: **A4/NTS** **FMF GLASS HARDWARE** REV. **1**
 SHEET **1** OF **1**