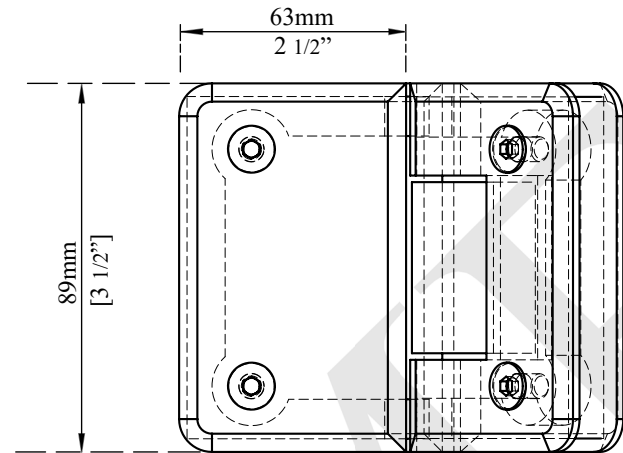
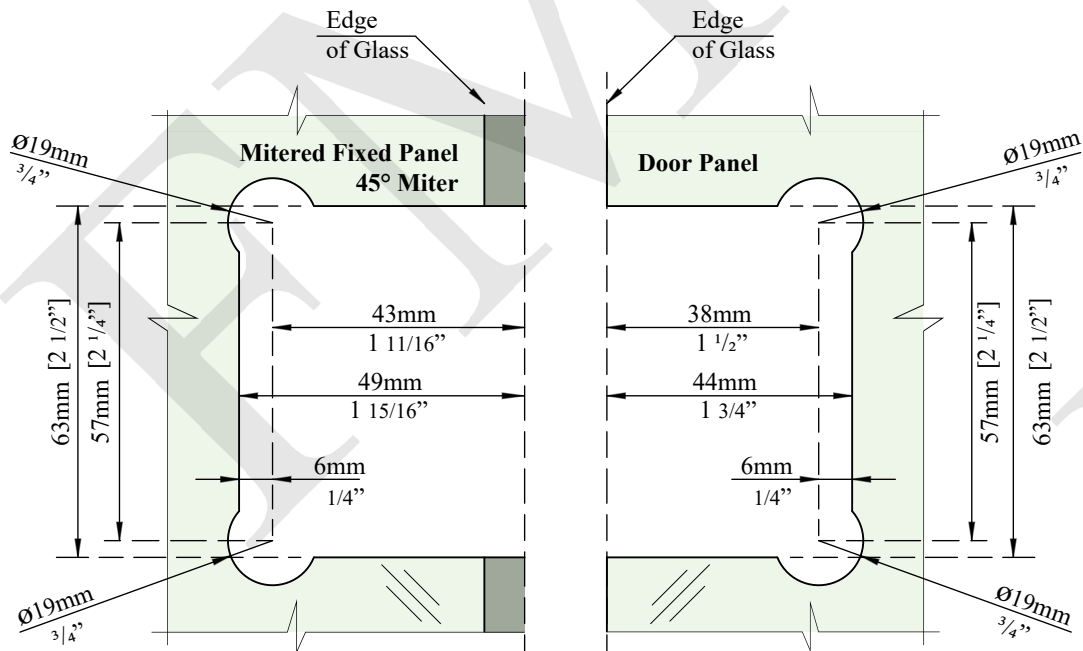


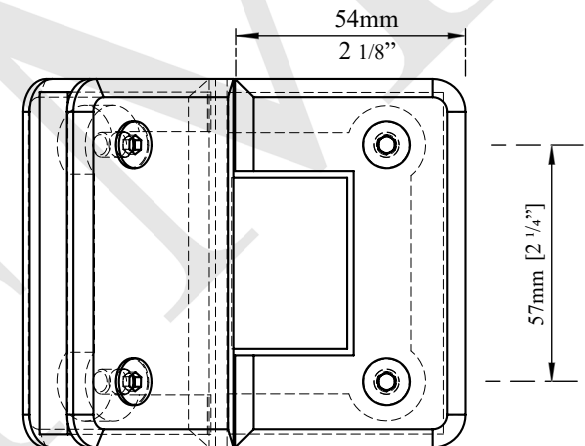
PLAN



ELEVATION 1



GLASS FABRICATION



ELEVATION 2

**NOTES:**

- PROPRIETARY AND CONFIDENTIAL  
 - THE INFORMATION CONTAINED IN THIS DRAWING IS THE SOLE PROPERTY OF FMF GLASS HARDWARE. ANY REPRODUCTION IN PART OR AS A WHOLE WITHOUT THE WRITTEN PERMISSION OF FMF GLASS HARDWARE IS PROHIBITED.

**PRODUCT NAME:**

135° Bevelled  
 Glass-to-Glass Hinge

**PRODUCT MODEL NUMBER:**

G302

DWG NO.  
 G302\_1

UNIT:  
 FT.-IN./MM

DWG SIZE/SCALE

**FMF GLASS  
 HARDWARE**

REV. 1

DATE:  
 11.22

DRAWN BY:  
 FMF

A4/NTS

SHEET 1 OF 1