

12 11 10 9 8 7 6 5 4 3 2 1

H

H

G

G

F

F

E

E

D

D

C

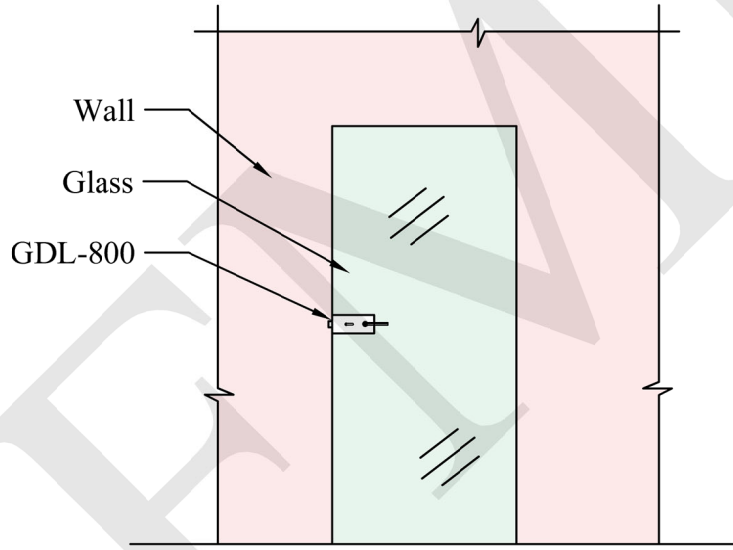
C

B

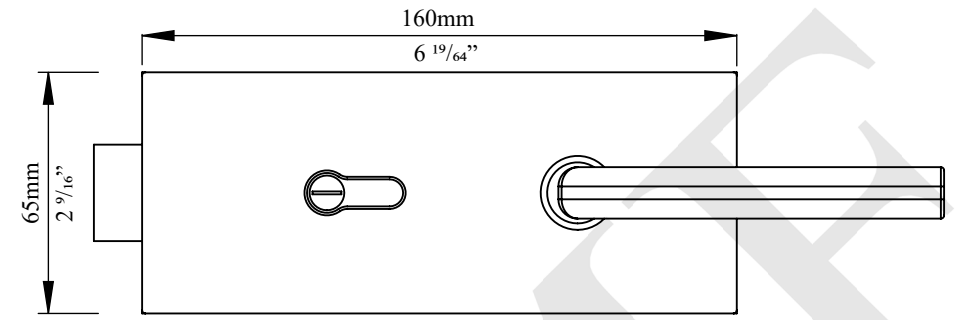
B

A

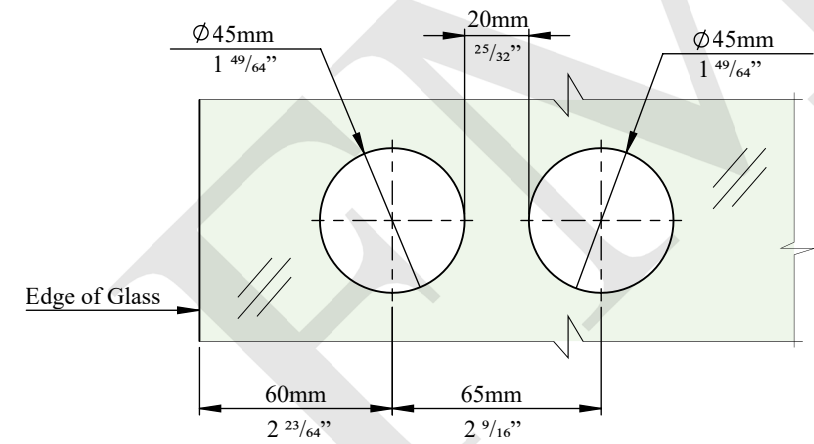
A



GDL-800
Wall Detail



Elevation



Glass Fabrication

NOTES: - PROPRIETARY AND CONFIDENTIAL - THE INFORMATION CONTAINED IN THIS DRAWING IS THE SOLE PROPERTY OF FMF GLASS HARDWARE. ANY REPRODUCTION IN PART OR AS A WHOLE WITHOUT THE WRITTEN PERMISSION OF FMF GLASS HARDWARE IS PROHIBITED.	PRODUCT NAME: 800 Series Glass-Wall Door Lock		PRODUCT MODEL NUMBER: GDL-800		
	DWG NO. GDL-800_1	UNIT: MM	DWG SIZE/SCALE A4/NTS	FMF GLASS HARDWARE	REV. 1
	DATE: 02.22	DRAWN BY: FMF			SHEET 1 OF 1

12 11 10 9 8 7 6 5 4 3 2 1

12 11 10 9 8 7 6 5 4 3 2 1

H

H

G

G

F

F

E

E

D

D

C

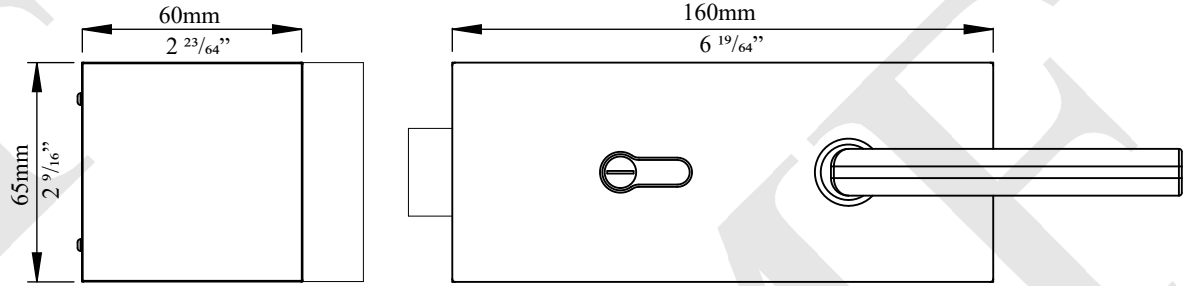
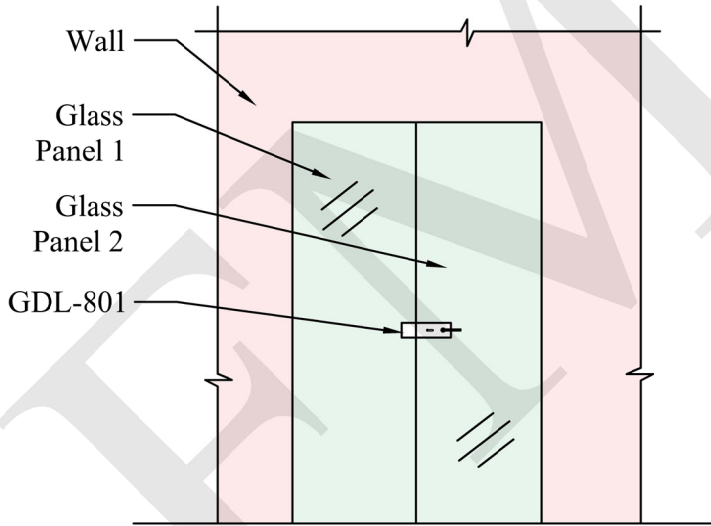
C

B

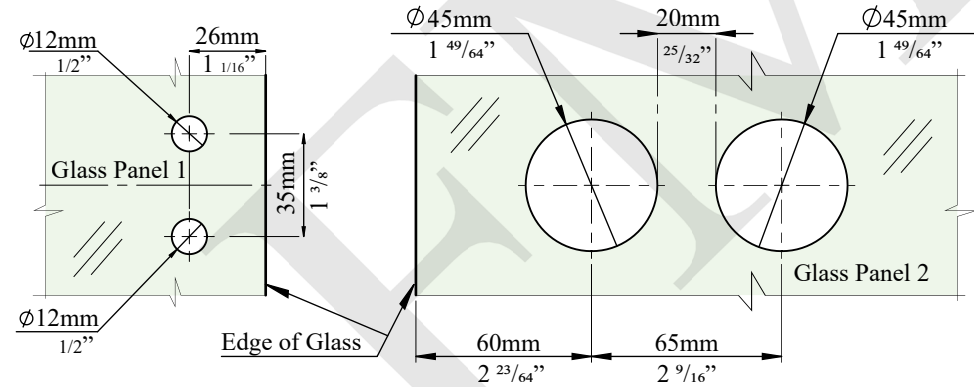
B

A

A



Elevation



Glass Fabrication

NOTES:

- PROPRIETARY AND CONFIDENTIAL
 - THE INFORMATION CONTAINED IN THIS DRAWING IS THE SOLE PROPERTY OF FMF GLASS HARDWARE. ANY REPRODUCTION IN PART OR AS A WHOLE WITHOUT THE WRITTEN PERMISSION OF FMF GLASS HARDWARE IS PROHIBITED.

PRODUCT NAME:

800 Series
 Glass-Glass Door Lock

PRODUCT MODEL NUMBER:

GDL-801

DWG NO.
 GDL-801_1

UNIT:
 MM

DWG SIZE/SCALE

A4/NTS

**FMF GLASS
 HARDWARE**

REV. 1

DATE:
 02.22

DRAWN BY:
 FMF

SHEET 1 OF 1

12 11 10 9 8 7 6 5 4 3 2 1