

12 11 10 9 8 7 6 5 4 3 2 1

H

G

F

E

D

C

B

A

H

G

F

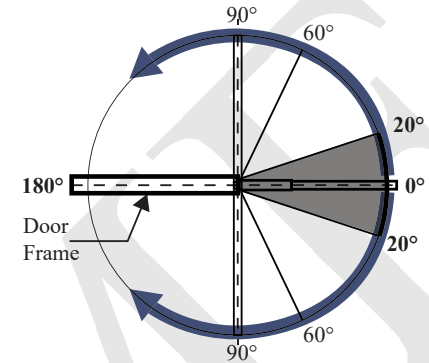
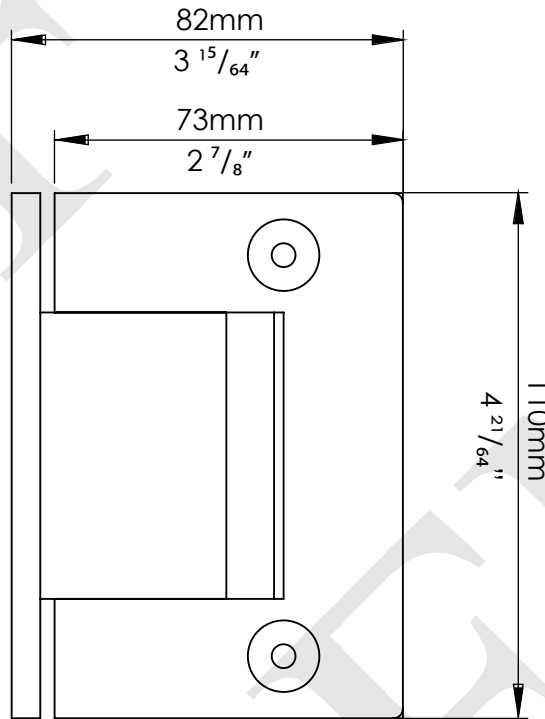
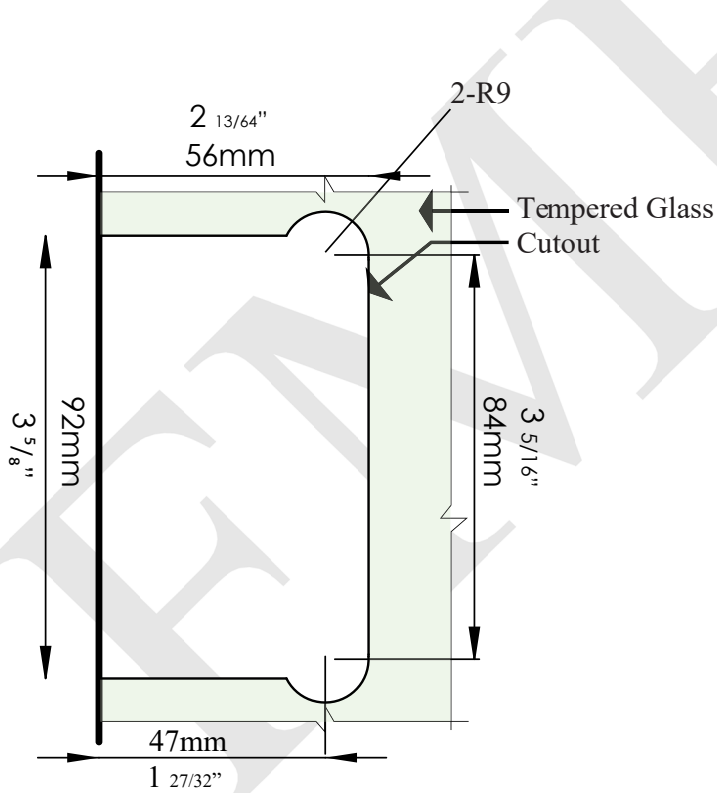
E

D

C

B

A



Features:

- 1. Soft Closing- 20°-0° (adjust by valve 2)
- 2. Soft Closing- 60°-20° (adjust by valve 1)
- 3. Fast Closing- 90°- 60°
- 4. HO (Hold open: 95°- 90°)
NH (No hold open)

Model	Overall dimension (mm)	Max. load capacity (kg)	Glass Thickness (mm)	Gasket usage
HYP-201	82x110x26	60	10mm	4
			12mm	2

NOTES:
 - PROPRIETARY AND CONFIDENTIAL
 - THE INFORMATION CONTAINED IN THIS DRAWING IS THE SOLE PROPERTY OF FMF GLASS HARDWARE. ANY REPRODUCTION IN PART OR AS A WHOLE WITHOUT THE WRITTEN PERMISSION OF FMF GLASS HARDWARE IS PROHIBITED.

PRODUCT NAME:
90° Hydraulic Wall-Mount Hinge

DWG NO. HYP-201_1
 DATE: 01.22

UNIT: MM
 DRAWN BY: FMF

PRODUCT MODEL NUMBER:
HYP-201

DWG SIZE/SCALE: A4/NTS
FMF GLASS HARDWARE

REV. 1
 SHEET 1 OF 1

12 11 10 9 8 7 6 5 4 3 2 1