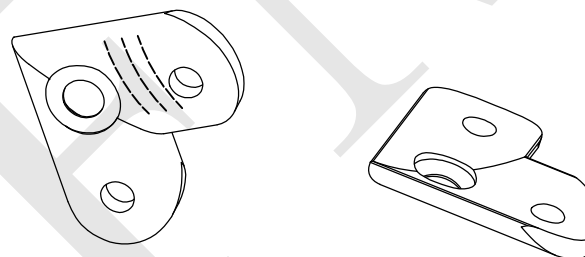
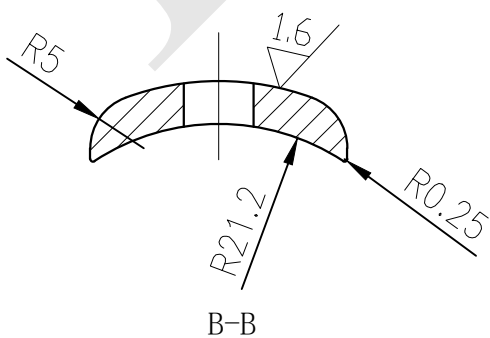
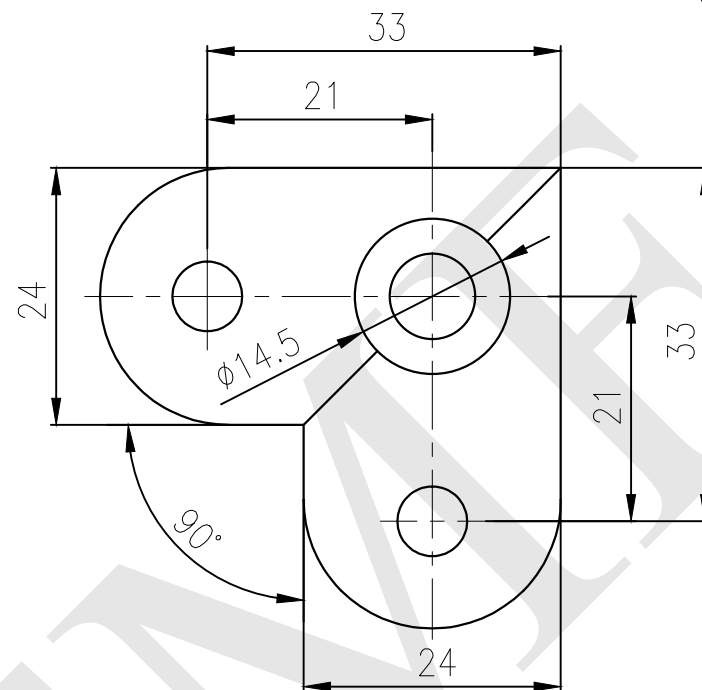
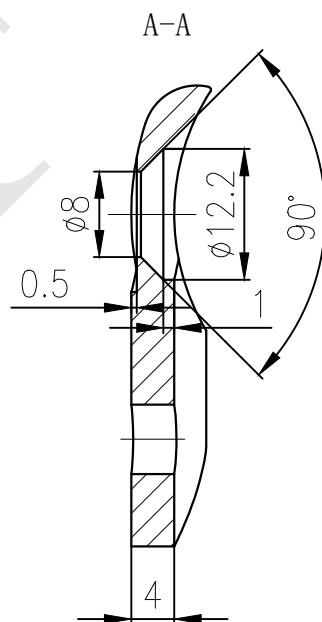
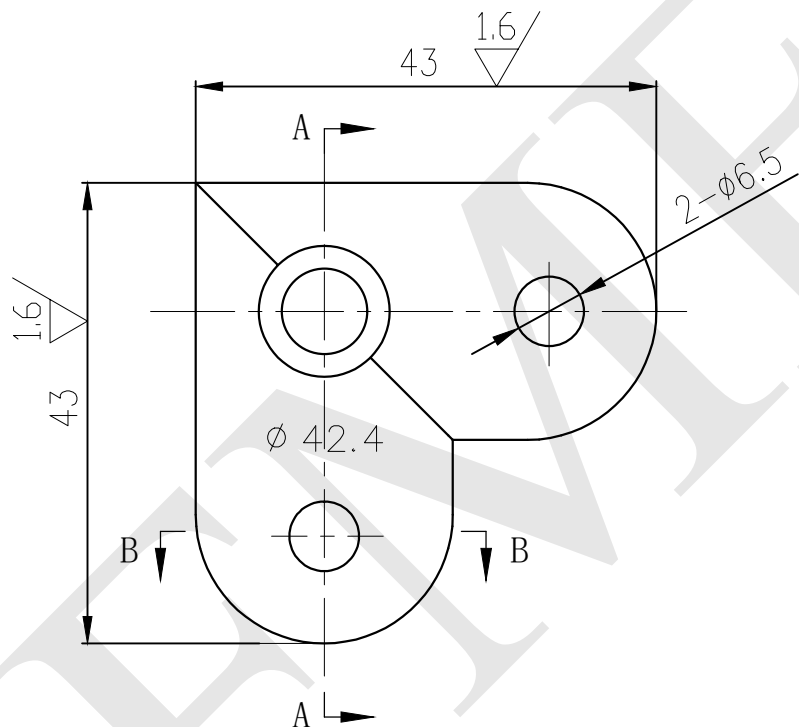


12 11 10 9 8 7 6 5 4 3 2 1

3.2

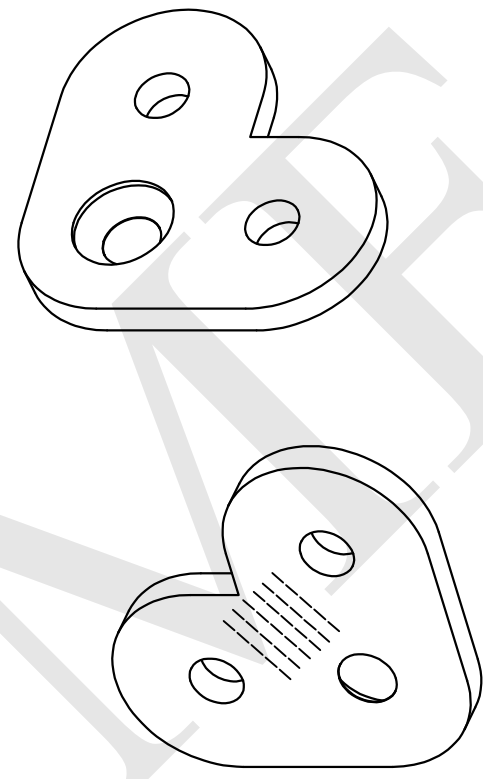
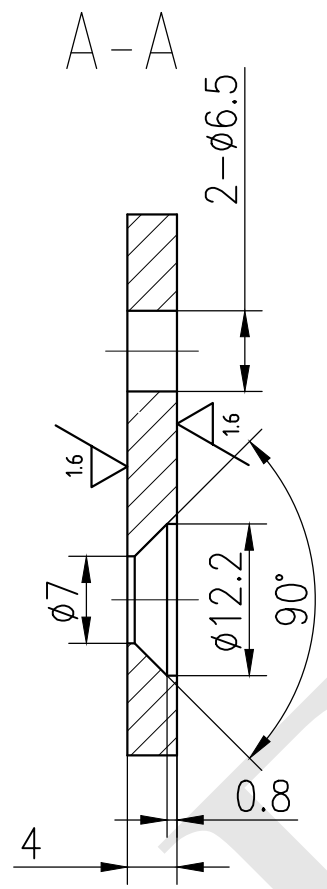
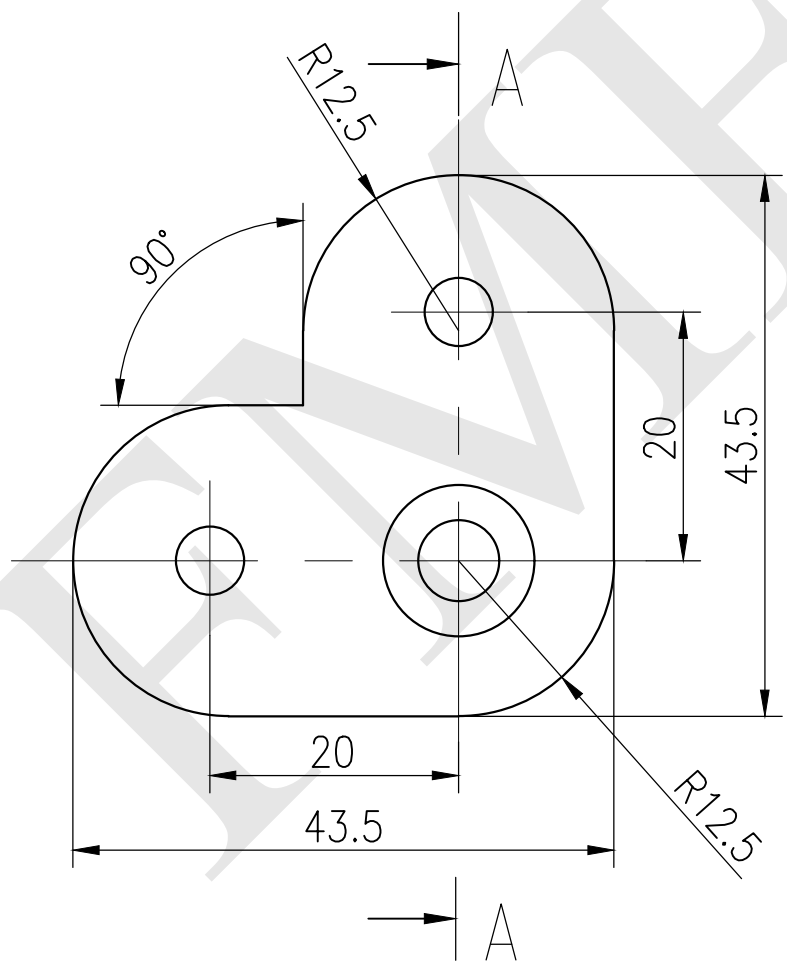


NOTES: - PROPRIETARY AND CONFIDENTIAL - THE INFORMATION CONTAINED IN THIS DRAWING IS THE SOLE PROPERTY OF FMF GLASS HARDWARE. ANY REPRODUCTION IN PART OR AS A WHOLE WITHOUT THE WRITTEN PERMISSION OF FMF GLASS HARDWARE IS PROHIBITED.	PRODUCT NAME: 90 degree Curved Saddle for 42.4mm Round Handrail		PRODUCT MODEL NUMBER: 90AP-424		
	DWG NO. 90AP-424_1	UNIT: MM	DWG SIZE/SCALE	FMF GLASS HARDWARE	REV. 1
	DATE: 12.22	DRAWN BY: FMF	A4/NTS		SHEET 1 OF 1

12 11 10 9 8 7 6 5 4 3 2 1

12 11 10 9 8 7 6 5 4 3 2 1

3.2
▽



NOTES:
 - PROPRIETARY AND CONFIDENTIAL
 - THE INFORMATION CONTAINED IN THIS DRAWING IS THE SOLE PROPERTY OF FMF GLASS HARDWARE. ANY REPRODUCTION IN PART OR AS A WHOLE WITHOUT THE WRITTEN PERMISSION OF FMF GLASS HARDWARE IS PROHIBITED.

PRODUCT NAME:
 90 degree Flat Saddle
 for 40x40mm Square Handrail

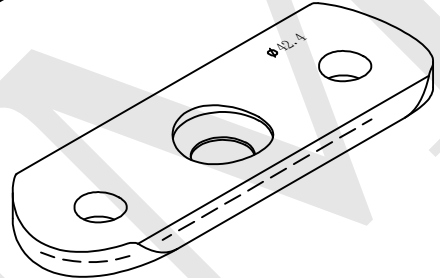
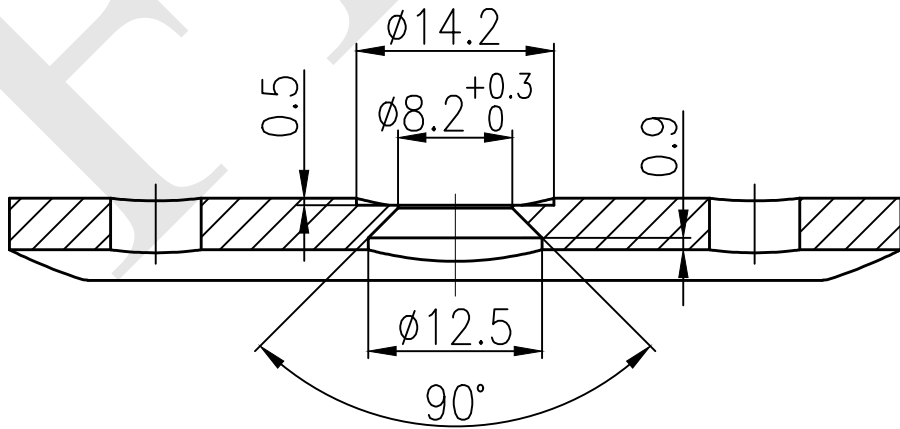
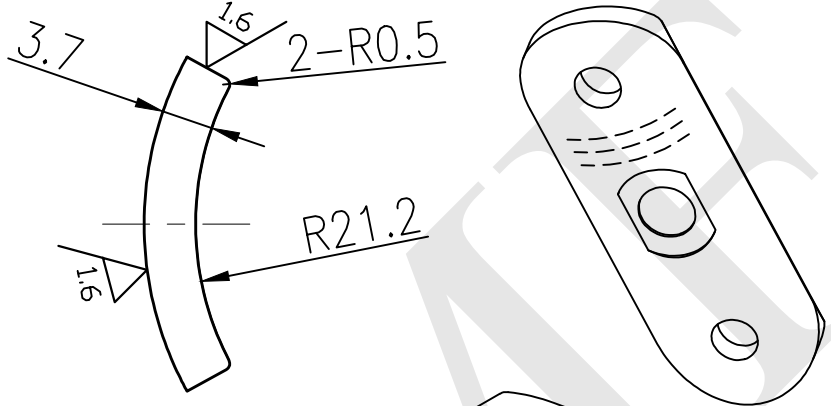
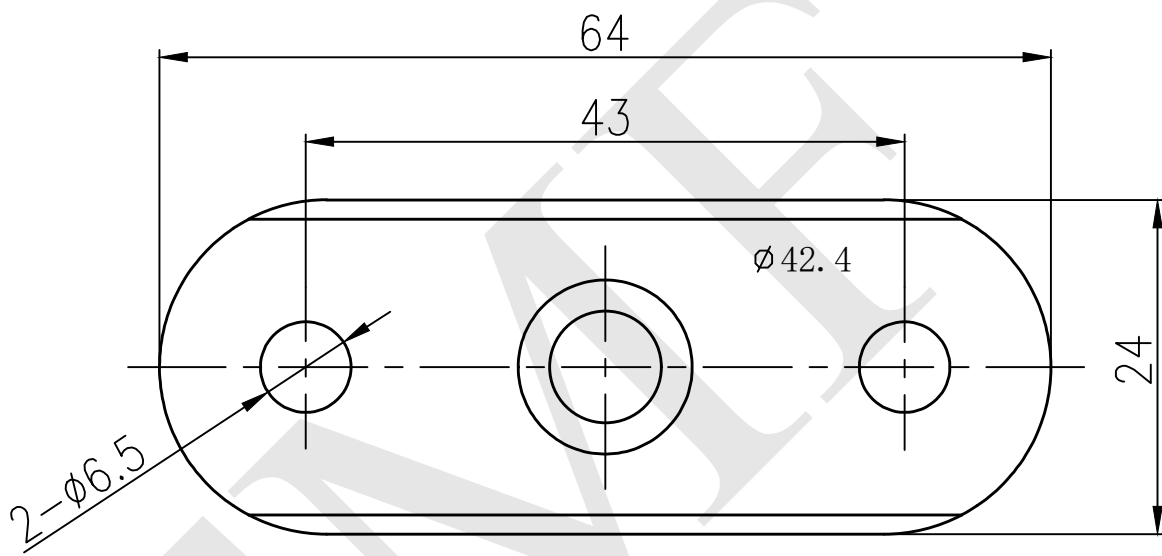
DWG NO. 90AP-4040_1 UNIT: MM
 DATE: 12.22 DRAWN BY: FMF

PRODUCT MODEL NUMBER:
 90AP-4040

DWG SIZE/SCALE: A4/NTS
FMF GLASS HARDWARE

REV. 1
 SHEET 1 OF 1

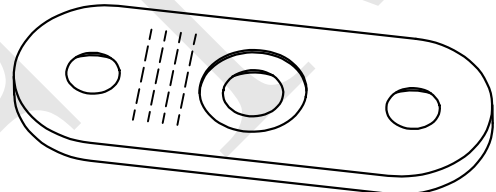
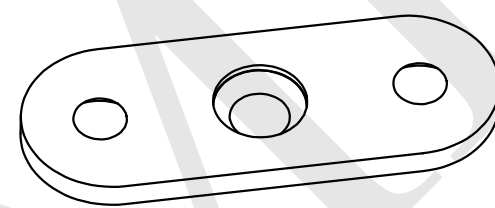
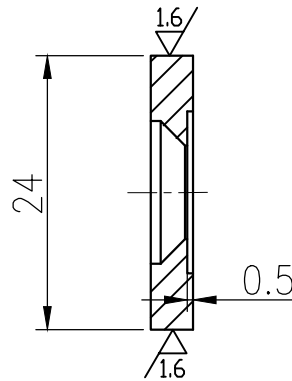
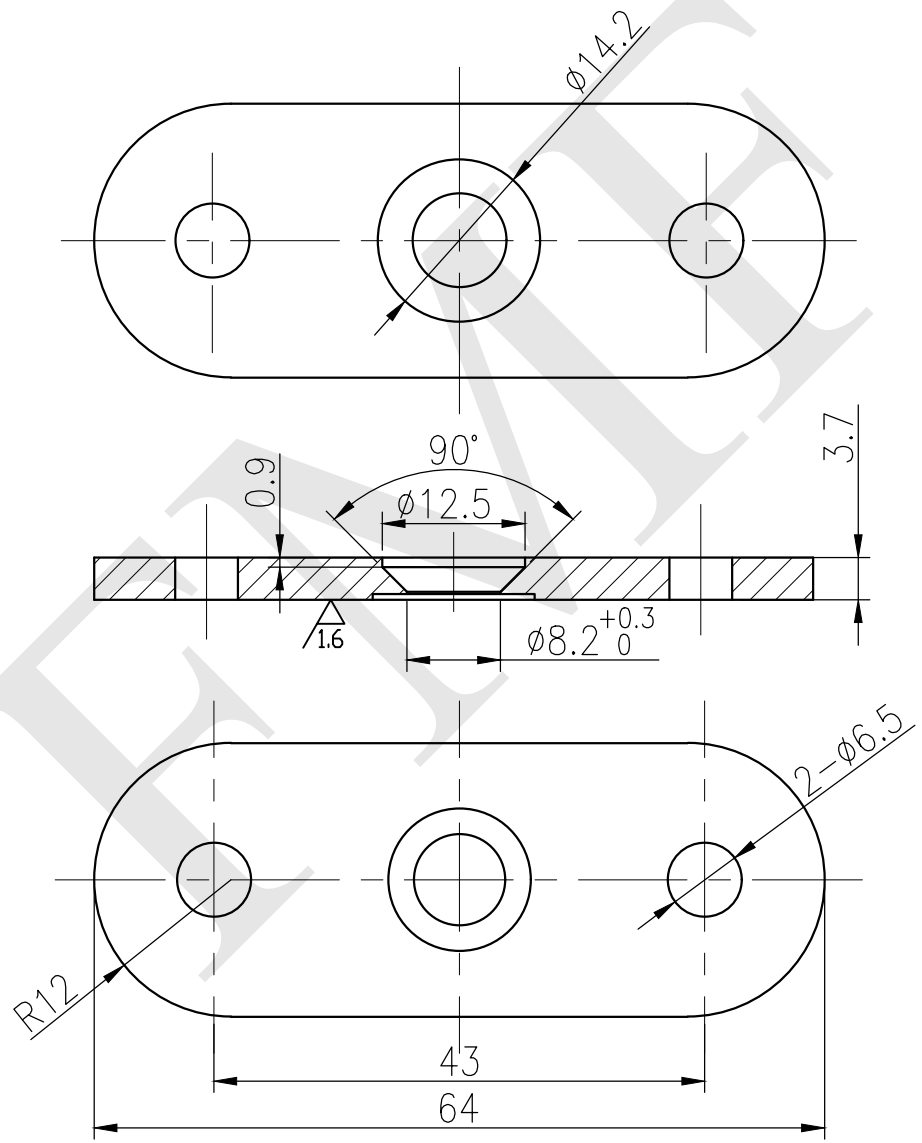
12 11 10 9 8 7 6 5 4 3 2 1



<p>NOTES:</p> <p>- PROPRIETARY AND CONFIDENTIAL - THE INFORMATION CONTAINED IN THIS DRAWING IS THE SOLE PROPERTY OF FMF GLASS HARDWARE. ANY REPRODUCTION IN PART OR AS A WHOLE WITHOUT THE WRITTEN PERMISSION OF FMF GLASS HARDWARE IS PROHIBITED.</p>	PRODUCT NAME:		PRODUCT MODEL NUMBER:		
	180 Degree Curved Saddle for 42.4mm Handrail		180AP-C424		
	DWG NO.	UNIT:	DWG SIZE/SCALE	FMF GLASS HARDWARE	REV.
	180AP-C424_1	MM	A4/NTS		1
DATE:	DRAWN BY:			SHEET 1 OF 1	
	12.22	FMF			

12 11 10 9 8 7 6 5 4 3 2 1

3.2



NOTES:
 - PROPRIETARY AND CONFIDENTIAL
 - THE INFORMATION CONTAINED IN THIS DRAWING IS THE SOLE PROPERTY OF FMF GLASS HARDWARE. ANY REPRODUCTION IN PART OR AS A WHOLE WITHOUT THE WRITTEN PERMISSION OF FMF GLASS HARDWARE IS PROHIBITED.

PRODUCT NAME:
 180 degree Saddle
 for 40x40mm Square Handrail

DWG NO. 180AP-F4040_1
 DATE: 12.22

UNIT: MM
 DRAWN BY: FMF

PRODUCT MODEL NUMBER:
 180AP-F4040

DWG SIZE/SCALE: A4/NTS
FMF GLASS HARDWARE

REV. 1
 SHEET 1 OF 1

12 11 10 9 8 7 6 5 4 3 2 1