

12

11

10

9

8

7

6

5

4

3

2

1

H

G

F

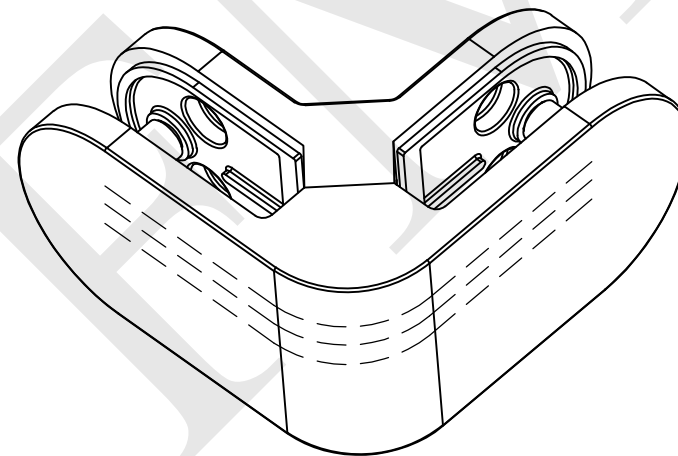
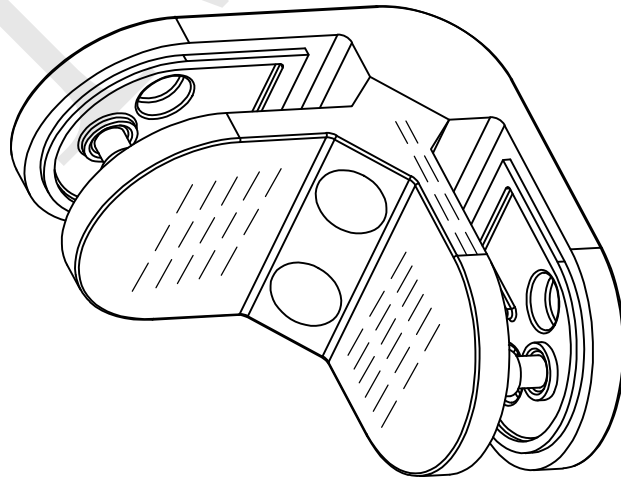
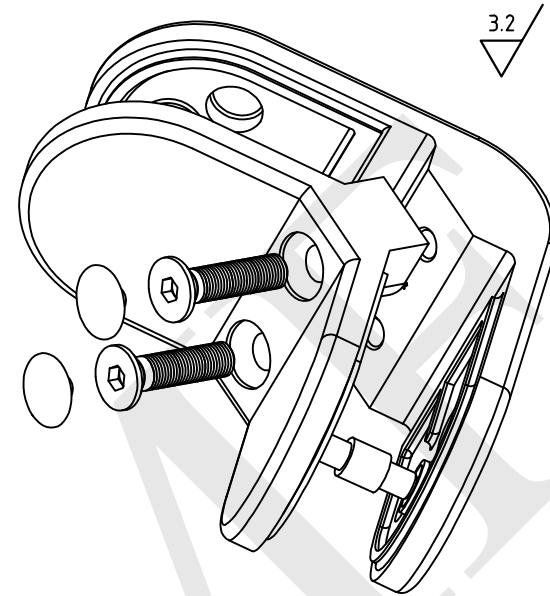
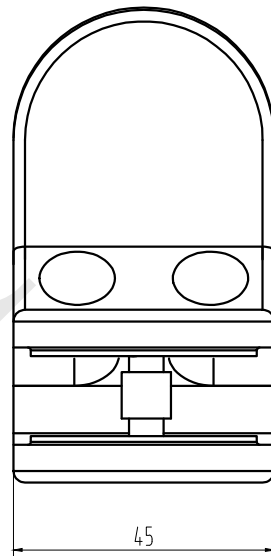
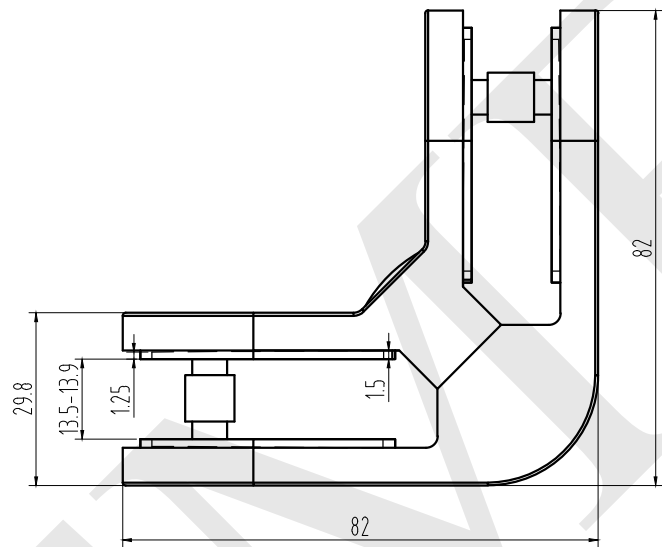
E

D

C

B

A



NOTES:

- PROPRIETARY AND CONFIDENTIAL
 - THE INFORMATION CONTAINED IN THIS DRAWING IS THE SOLE PROPERTY OF FMF GLASS HARDWARE. ANY REPRODUCTION IN PART OR AS A WHOLE WITHOUT THE WRITTEN PERMISSION OF FMF GLASS HARDWARE IS PROHIBITED.

PRODUCT NAME:

90° Round Glass-to-Glass Railing Bracket

PRODUCT MODEL NUMBER:

RCG-R90

DWG NO.

RCG-R90_1

UNIT:

MM

DWG SIZE/SCALE

A4/NTS

**FMF GLASS
HARDWARE**

REV.

1

DATE:

01.23

DRAWN BY:

FMF

SHEET 1 OF 1

12

11

10

9

8

7

6

5

4

3

2

1