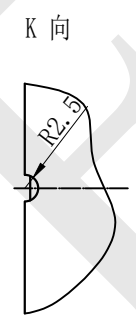
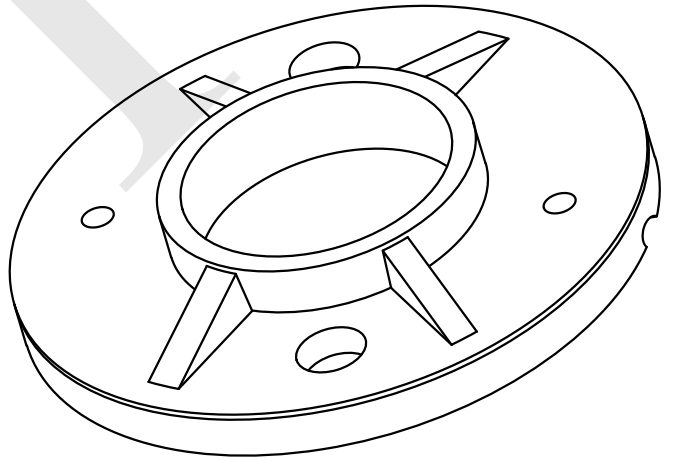
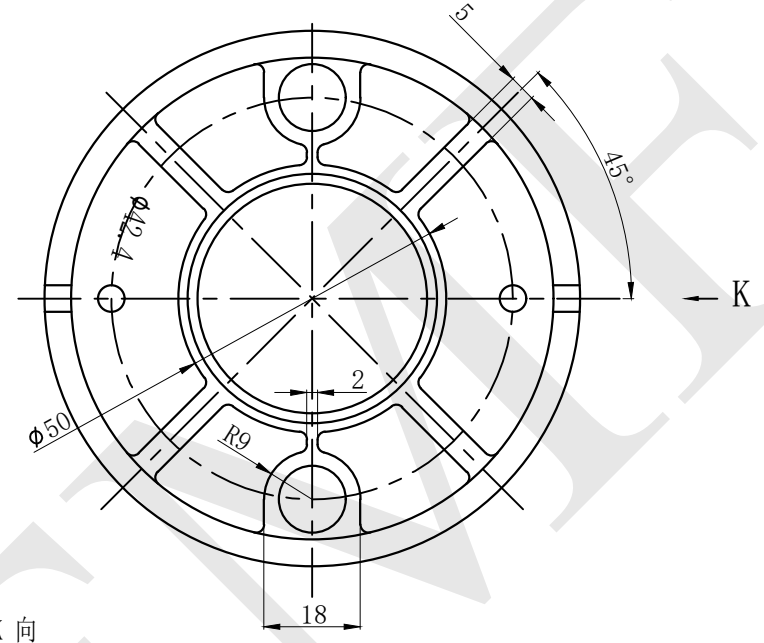
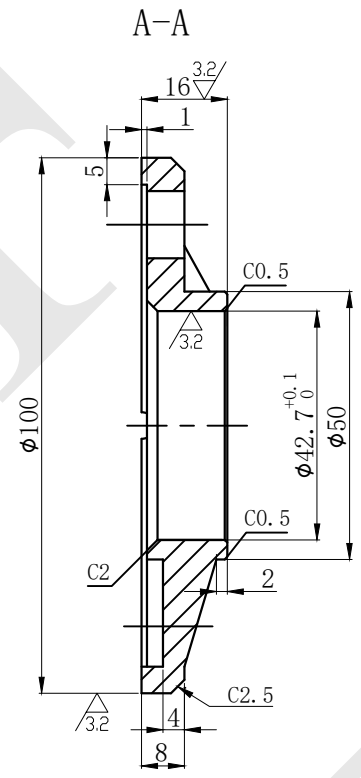
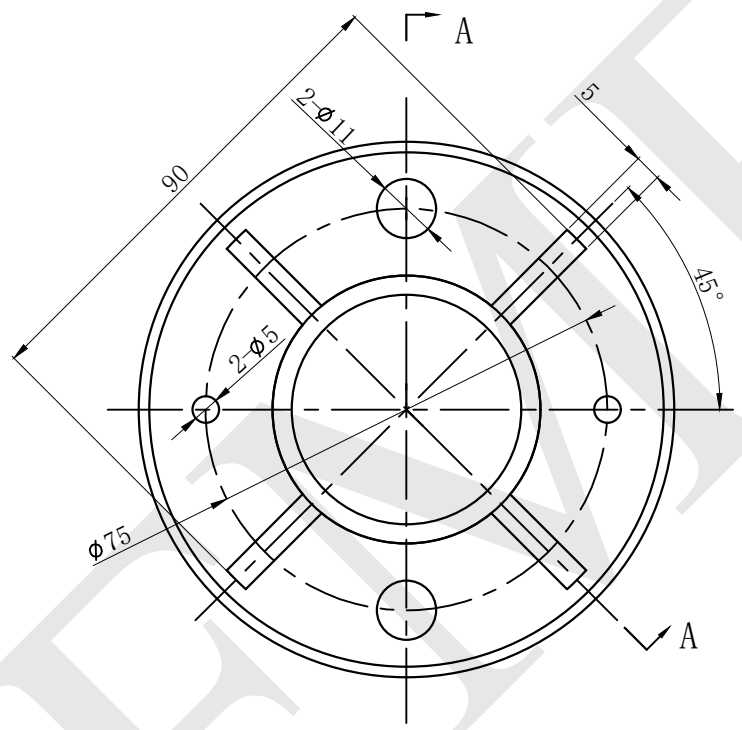


12 11 10 9 8 7 6 5 4 3 2 1

H
G
F
E
D
C
B
A

H
G
F
E
D
C
B
A



6.3

NOTES:
 - PROPRIETARY AND CONFIDENTIAL
 - THE INFORMATION CONTAINED IN THIS DRAWING IS THE SOLE PROPERTY OF FMF GLASS HARDWARE. ANY REPRODUCTION IN PART OR AS A WHOLE WITHOUT THE WRITTEN PERMISSION OF FMF GLASS HARDWARE IS PROHIBITED.

PRODUCT NAME:
 BASE FLANGE DISC FOR Ø42.4MM ROUND RAILING POSTS

DWG NO.
 RPA-02_1

DATE:
 02.23

UNIT:
 MM

DRAWN BY:
 FMF

PRODUCT MODEL NUMBER:
 RPA-02

DWG SIZE/SCALE
 A4/NTS

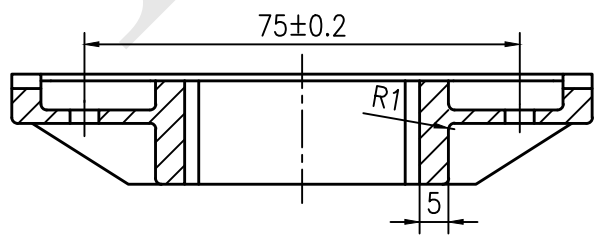
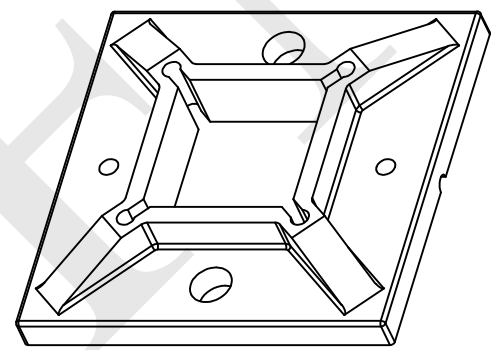
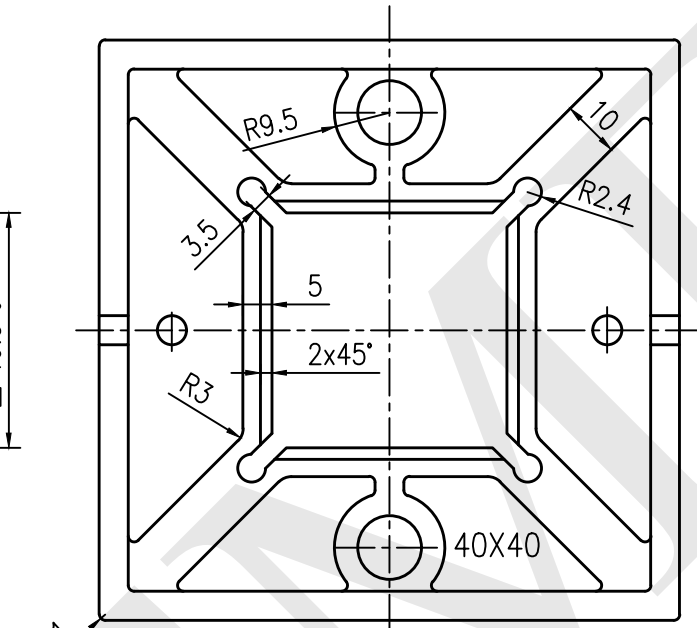
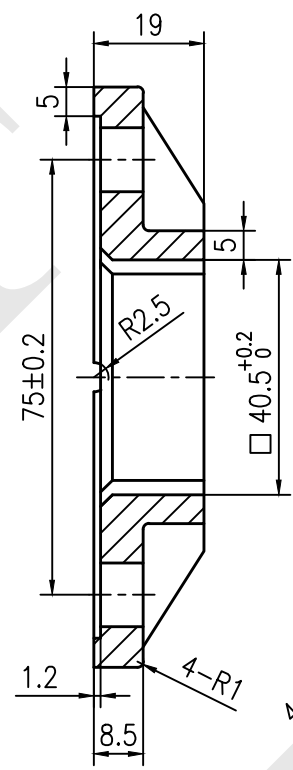
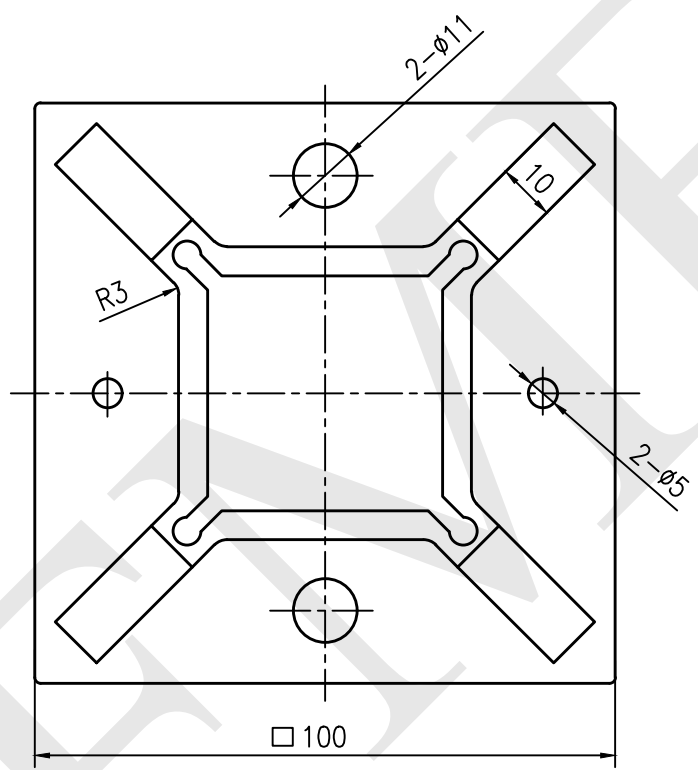
REV. 1

SHEET 1 OF 1

12 11 10 9 8 7 6 5 4 3 2 1

12 11 10 9 8 7 6 5 4 3 2 1

3.2



NOTES:
 - PROPRIETARY AND CONFIDENTIAL
 - THE INFORMATION CONTAINED IN THIS DRAWING IS THE SOLE PROPERTY OF FMF GLASS HARDWARE. ANY REPRODUCTION IN PART OR AS A WHOLE WITHOUT THE WRITTEN PERMISSION OF FMF GLASS HARDWARE IS PROHIBITED.

PRODUCT NAME:
 BASE FLANGE DISC FOR 40X40MM SQUARE RAILING POSTS

DWG NO.
 SPA-02_1

DATE:
 02.23

UNIT:
 MM

DRAWN BY:
 FMF

PRODUCT MODEL NUMBER:
 SPA-02

DWG SIZE/SCALE
 A4/NTS

REV. 1

SHEET 1 OF 1

12 11 10 9 8 7 6 5 4 3 2 1