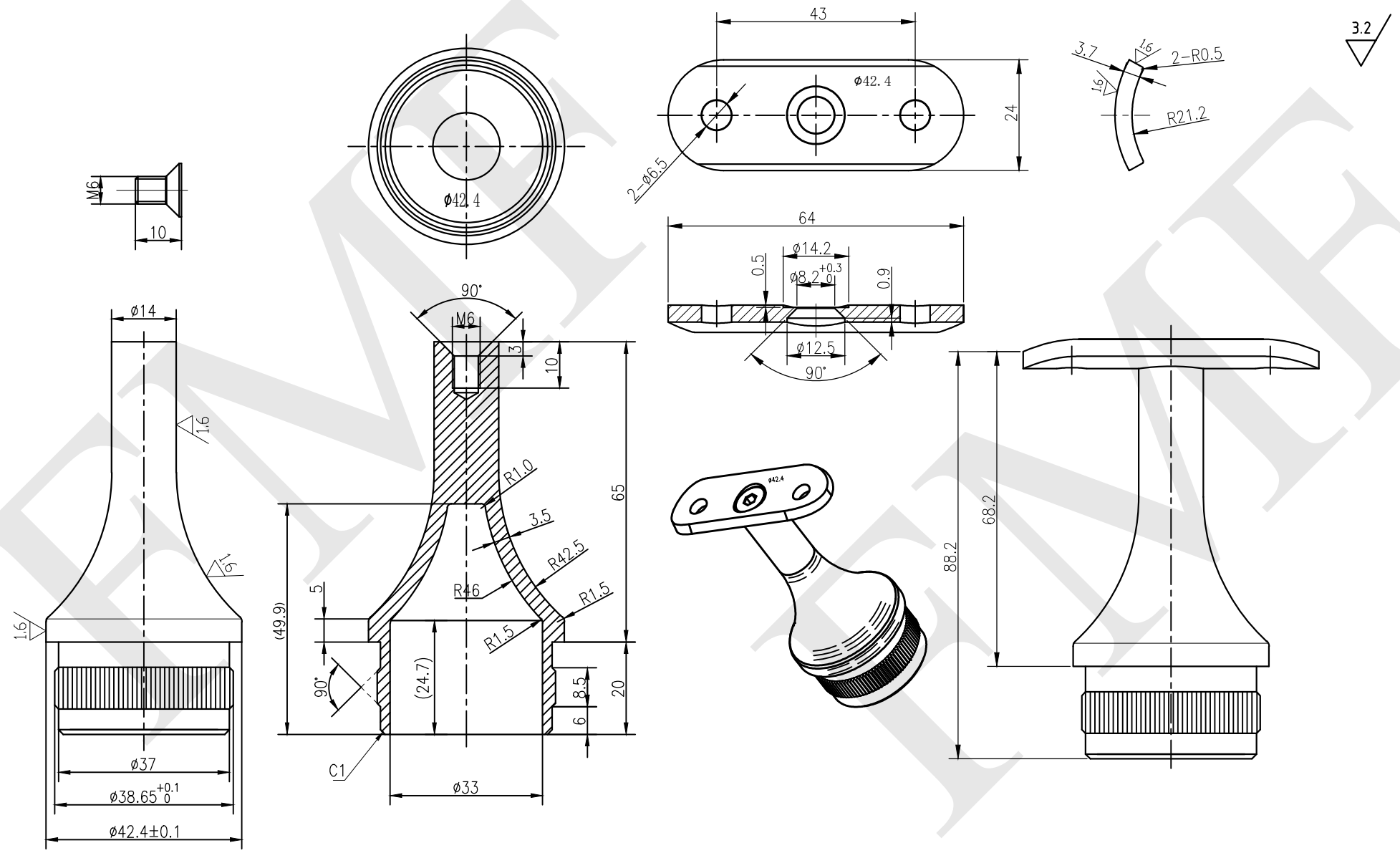


12 11 10 9 8 7 6 5 4 3 2 1

H
G
F
E
D
C
B
A

H
G
F
E
D
C
B
A



NOTES:
 - PROPRIETARY AND CONFIDENTIAL
 - THE INFORMATION CONTAINED IN THIS DRAWING IS THE SOLE PROPERTY OF FMF GLASS HARDWARE. ANY REPRODUCTION IN PART OR AS A WHOLE WITHOUT THE WRITTEN PERMISSION OF FMF GLASS HARDWARE IS PROHIBITED.

PRODUCT NAME:
 Round (42.4mm) Handrail Supports - Fixed Saddle

DWG NO.
 RRAIL-SP01_1

DATE:
 01.23

UNIT:
 MM

DRAWN BY:
 FMF

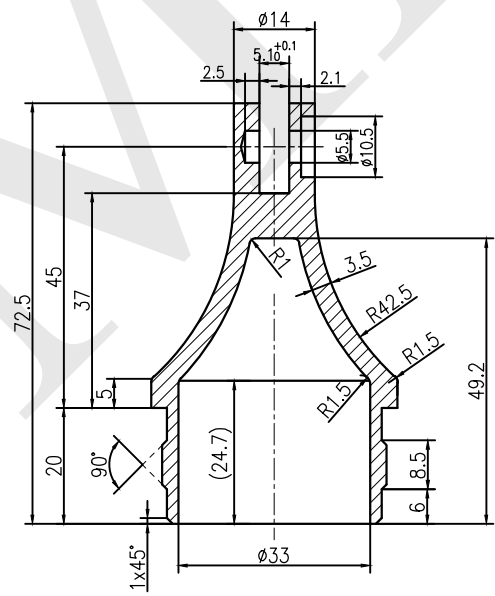
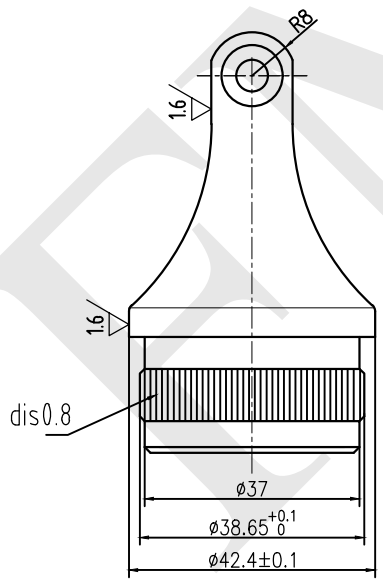
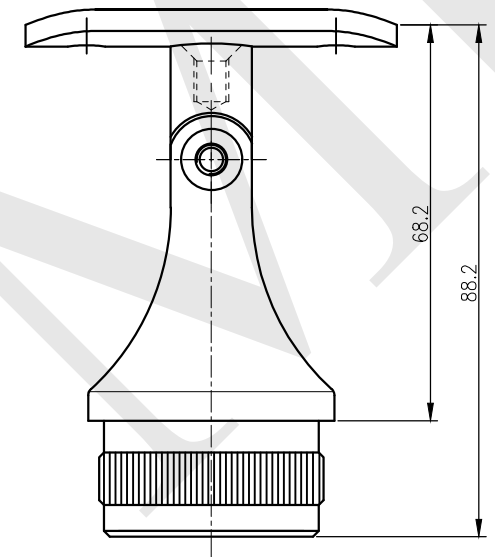
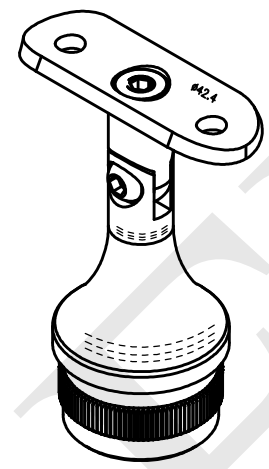
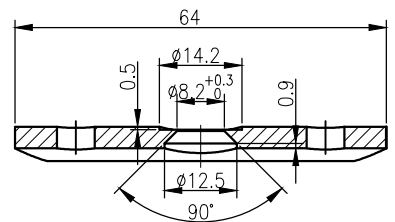
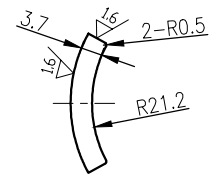
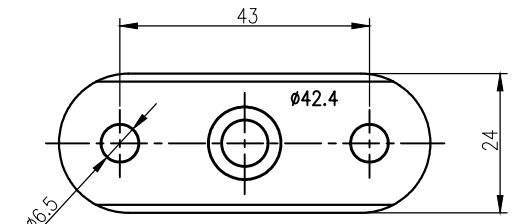
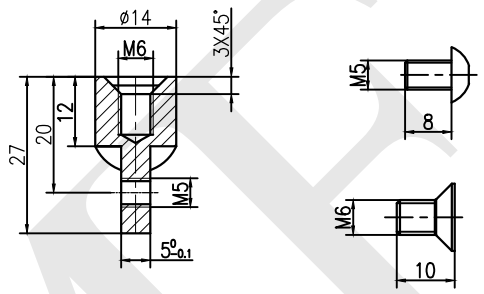
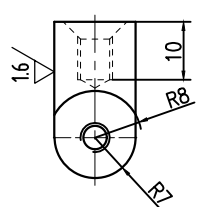
PRODUCT MODEL NUMBER:
 RRAIL-SP01

DWG SIZE/SCALE
 A4/NTS

REV. 1

SHEET 1 OF 1

12 11 10 9 8 7 6 5 4 3 2 1



NOTES:
 - PROPRIETARY AND CONFIDENTIAL
 - THE INFORMATION CONTAINED IN THIS DRAWING IS THE SOLE PROPERTY OF FMF GLASS HARDWARE. ANY REPRODUCTION IN PART OR AS A WHOLE WITHOUT THE WRITTEN PERMISSION OF FMF GLASS HARDWARE IS PROHIBITED.

PRODUCT NAME:
 Round (42.4mm) Handrail Supports - Movable Saddle

DWG NO.
 RRAIL-SP02_1

DATE:
 01.23

PRODUCT MODEL NUMBER:
 RRAIL-SP02

DWG SIZE/SCALE
 A4/NTS

UNIT:
 MM

DRAWN BY:
 FMF

REV. 1

SHEET 1 OF 1