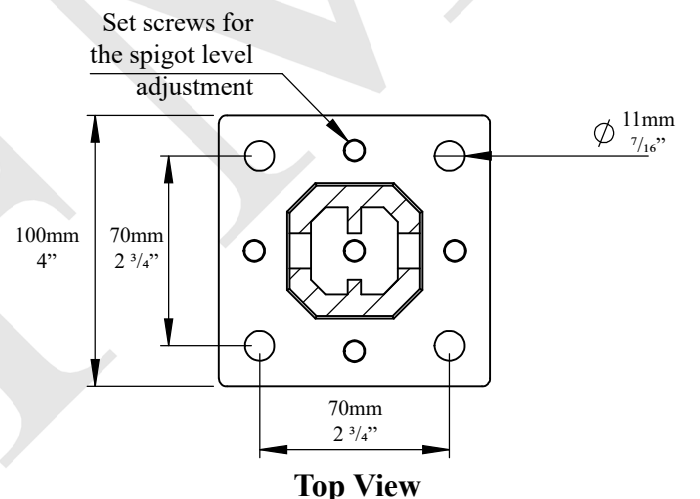


On Wood Surface:
 - Lag bolt 3/8"x5"
 - Optional: 3/8" thru-bolt or threaded rod with flat washers and nuts

Fasteners Recommended on Concrete Surface:
 - Wedge anchor 3/8"x4"

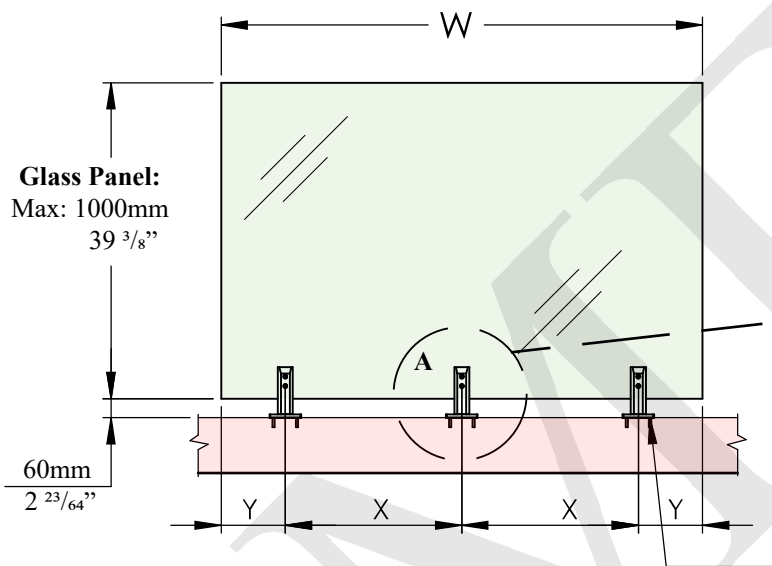
W (Inches)	X (Inches)	Y (Inches)	No. of Spigots
72	27	9	3
60	22	8	3
48	32	8	2
36	22	7	2
26	14	6	2

Glass Panel Height (Max.): 39 3/8"
 W (Glass Width): 26" Minimum
 X= 36" Maximum
 Y= 6" Minimum - 9" Maximum



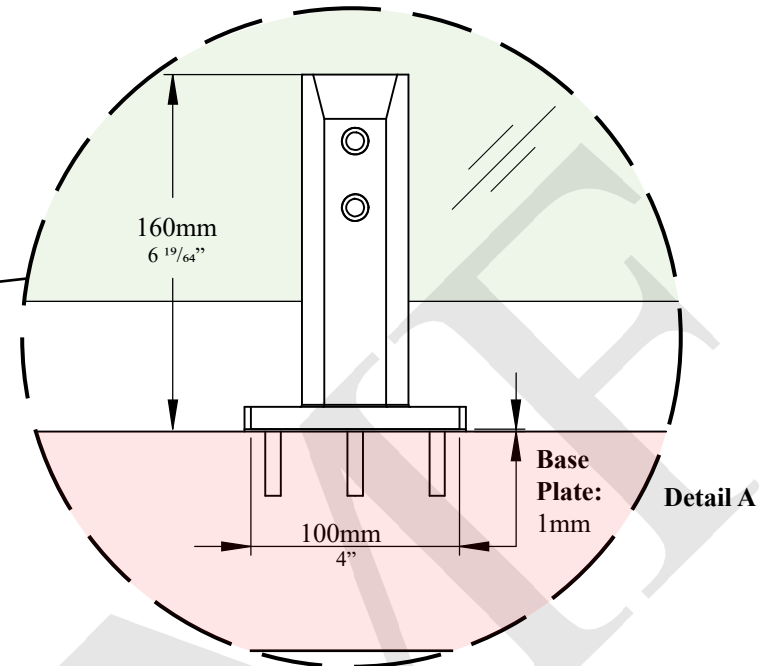
- General Notes:**
- The installed glass thickness must be 1/2" or 12mm and must be safety tempered.
 - Recommendation is for hardware components only. Mounting the post to the base structure is a site condition and the installers must ensure that the fasteners are strong enough to resist the design weight.
 - The base material to which the posts are being mounted must resist the design weight.

NOTES: - PROPRIETARY AND CONFIDENTIAL -THE INFORMATION CONTAINED IN THIS DRAWING IS THE SOLE PROPERTY OF FMF GLASS HARDWARE. ANY REPRODUCTION IN PART OR AS A WHOLE WITHOUT THE WRITTEN PERMISSION OF FMF GLASS HARDWARE IS PROHIBITED.		PRODUCT NAME: 8" Square Spigot		PRODUCT MODEL NUMBER: SPI-8SA	
DWG NO. SPI-8SA_1	UNIT: MM	DWG SIZE/SCALE A4/NTS	FMF GLASS HARDWARE	REV. 1	SHEET 1 OF 1
DATE: 01.22	DRAWN BY: FMF				



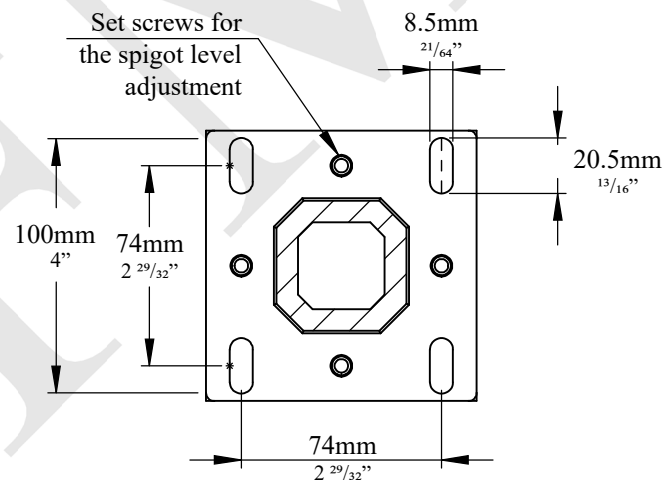
Glass Panel:
Max: 1000mm
39 3/8"

- On Wood Surface:**
 - Lag bolt 3/8"x5"
 - Optional: 3/8" thru-bolt or threaded rod with flat washers and nuts
- Fasteners Recommended on Concrete Surface:**
 - Wedge anchor 3/8"x4"



W (Inches)	X (Inches)	Y (Inches)	No. of Spigots
72	27	9	3
60	22	8	3
48	32	8	2
36	22	7	2
26	14	6	2

Glass Panel Height (Max.): 1000mm
 W (Glass Width): 26" Minimum
 X= 36" Maximum
 Y= 6" Minimum - 9" Maximum



General Notes:

- The installed glass thickness must be 1/2" or 12mm and must be safety tempered.
- Recommendation is for hardware components only. Mounting the post to the base structure is a site condition and the installers must ensure that the fasteners are strong enough to resist the design weight.
- The base material to which the posts are being mounted must resist the design weight.

NOTES: - PROPRIETARY AND CONFIDENTIAL -THE INFORMATION CONTAINED IN THIS DRAWING IS THE SOLE PROPERTY OF FMF GLASS HARDWARE. ANY REPRODUCTION IN PART OR AS A WHOLE WITHOUT THE WRITTEN PERMISSION OF FMF GLASS HARDWARE IS PROHIBITED.	PRODUCT NAME: 6" Square Spigot		PRODUCT MODEL NUMBER: SPI-6SA		
	DWG NO. SPI-6SA_1	UNIT: MM	DWG SIZE/SCALE A4/NTS	FMF GLASS HARDWARE	REV. 1
	DATE: 01.22	DRAWN BY: FMF			SHEET 1 OF 1