

3.2

**NOTES:**

- PROPRIETARY AND CONFIDENTIAL  
 - THE INFORMATION CONTAINED IN THIS DRAWING IS THE SOLE PROPERTY OF FMF GLASS HARDWARE. ANY REPRODUCTION IN PART OR AS A WHOLE WITHOUT THE WRITTEN PERMISSION OF FMF GLASS HARDWARE IS PROHIBITED.

**PRODUCT NAME:**

Square Handrail Supports  
 (Fixed Saddle)

**PRODUCT MODEL NUMBER:**

SRAIL-SP01

DWG NO. SRAIL-SP01\_1

UNIT: MM

DWG SIZE/SCALE

**FMF GLASS  
 HARDWARE**

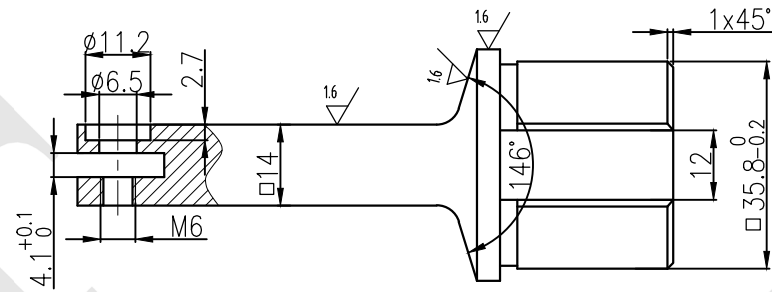
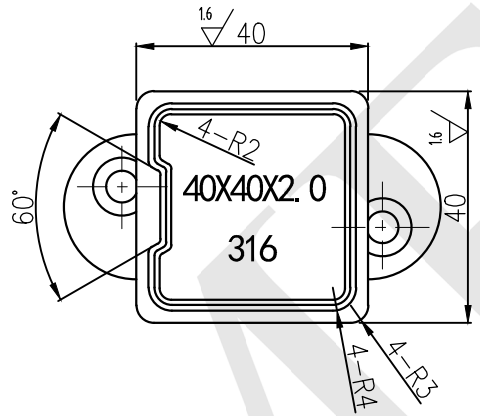
REV. 1

DATE: 11.22

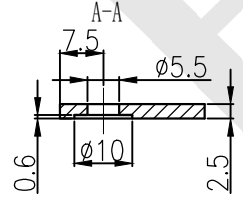
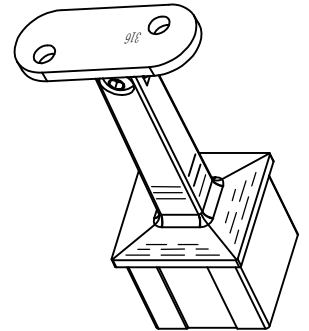
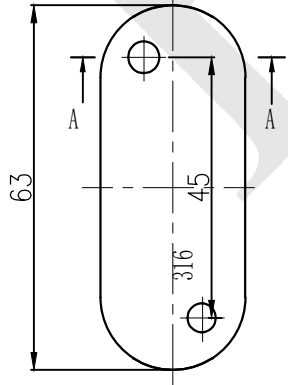
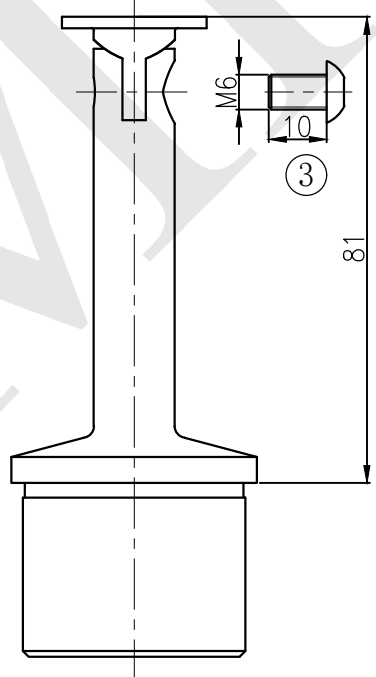
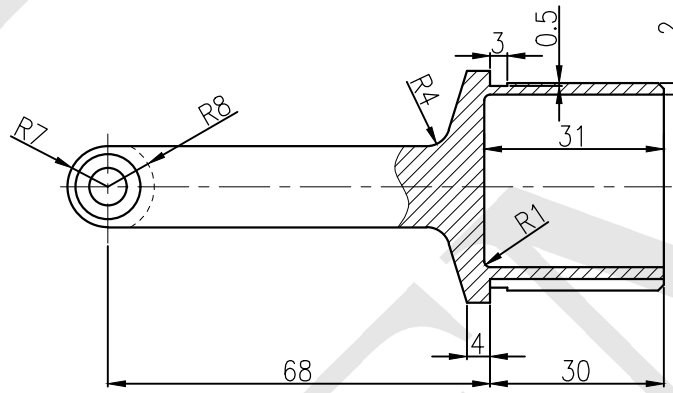
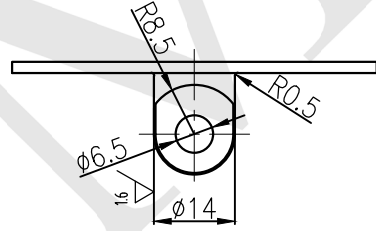
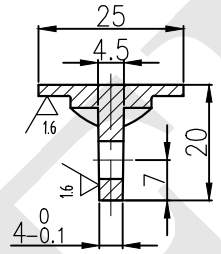
DRAWN BY: FMF

A4/NTS

SHEET 1 OF 1



3.2



**NOTES:**  
 - PROPRIETARY AND CONFIDENTIAL  
 - THE INFORMATION CONTAINED IN THIS DRAWING IS THE SOLE PROPERTY OF FMF GLASS HARDWARE. ANY REPRODUCTION IN PART OR AS A WHOLE WITHOUT THE WRITTEN PERMISSION OF FMF GLASS HARDWARE IS PROHIBITED.

**PRODUCT NAME:**  
 Square Handrail Supports  
 (Movable Saddle)

DWG NO. SRAIL-SP02\_1  
 DATE: 11.22

UNIT: MM  
 DRAWN BY: FMF

**PRODUCT MODEL NUMBER:**  
 SRAIL-SP02

DWG SIZE/SCALE: A4/NTS  
**FMF GLASS HARDWARE**

REV. 1  
 SHEET 1 OF 1