

12 11 10 9 8 7 6 5 4 3 2 1

H

G

F

E

D

C

B

A

H

G

F

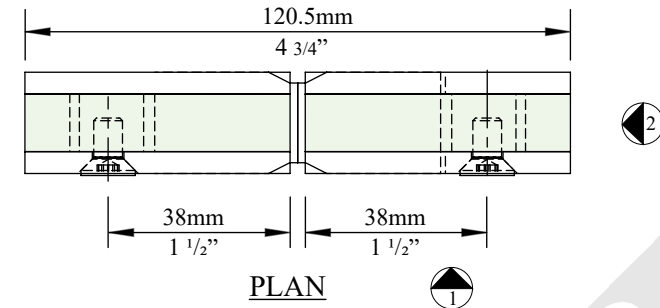
E

D

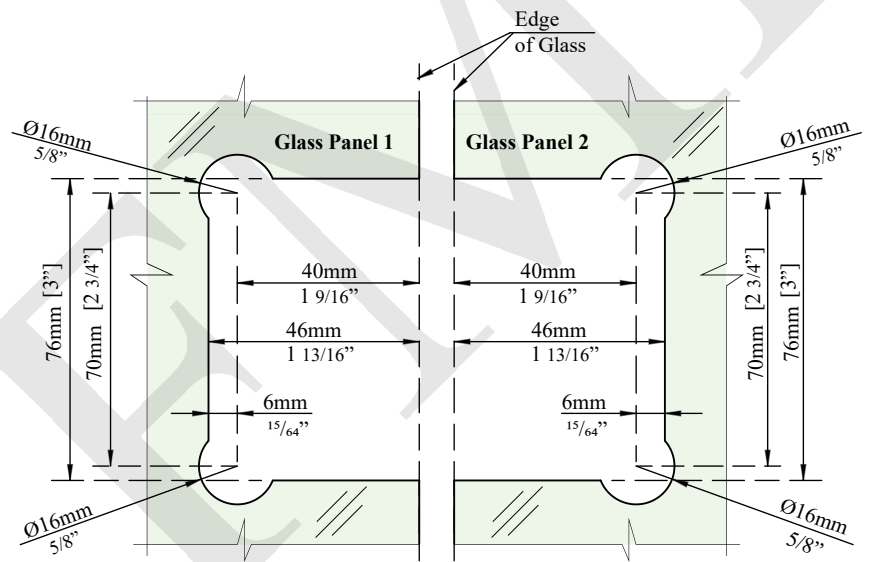
C

B

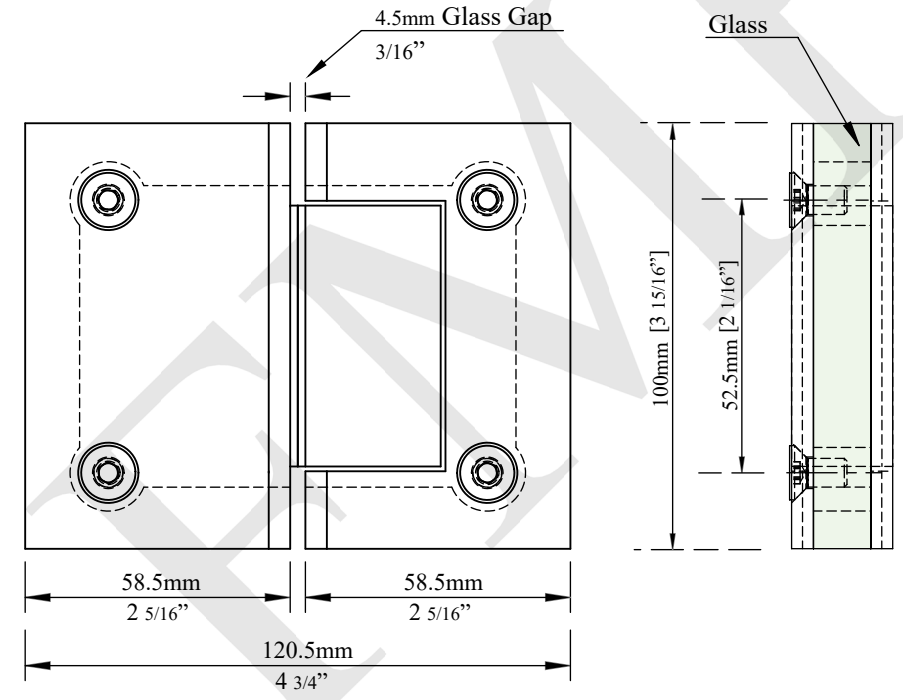
A



PLAN



GLASS FABRICATION



ELEVATION 1

ELEVATION 2

<p>NOTES:</p> <p>- PROPRIETARY AND CONFIDENTIAL - THE INFORMATION CONTAINED IN THIS DRAWING IS THE SOLE PROPERTY OF FMF GLASS HARDWARE. ANY REPRODUCTION IN PART OR AS A WHOLE WITHOUT THE WRITTEN PERMISSION OF FMF GLASS HARDWARE IS PROHIBITED.</p>	<p>PRODUCT NAME: 180° HEAVY DUTY GLASS-TO-GLASS HINGE</p>		<p>PRODUCT MODEL NUMBER: V203</p>		
	<p>DWG NO. V203_1</p>	<p>UNIT: FT.-IN./MM</p>	<p>DWG SIZE/SCALE A4/NTS</p>	<p>FMF GLASS HARDWARE</p>	<p>REV. 1</p>
	<p>DATE: 11.22</p>	<p>DRAWN BY: FMF</p>	<p>A4/NTS</p>		<p>SHEET 1 OF 1</p>

12 11 10 9 8 7 6 5 4 3 2 1