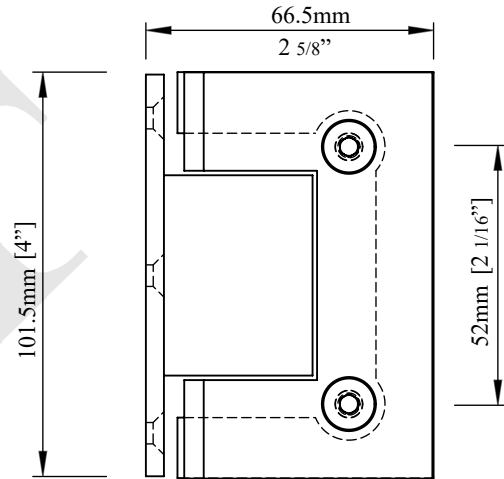
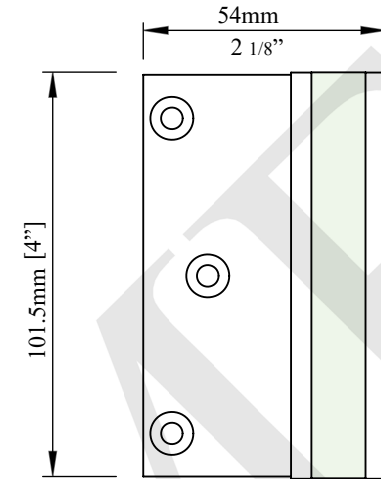


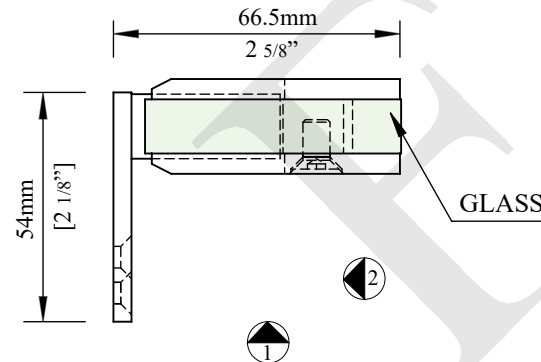
GLASS FABRICATION



ELEVATION 1



ELEVATION 2



PLAN

NOTES: - PROPRIETARY AND CONFIDENTIAL - THE INFORMATION CONTAINED IN THIS DRAWING IS THE SOLE PROPERTY OF FMF GLASS HARDWARE. ANY REPRODUCTION IN PART OR AS A WHOLE WITHOUT THE WRITTEN PERMISSION OF FMF GLASS HARDWARE IS PROHIBITED.	PRODUCT NAME: Heavy Duty Offset Wall Mount Hinge		PRODUCT MODEL NUMBER: V205		
	DWG NO. V205_1	UNIT: FT.-IN./MM	DWG SIZE/SCALE A4/NTS	FMF GLASS HARDWARE	REV. 1
	DATE: 11.22	DRAWN BY: FMF	SHEET 1 OF 1		